

POWER SUPPLY EXTRACT HARNESS

(SUZUKI type-2) CODE:756-9000210

APPLICATION (SUZUKI deputation motorcycle) GSX-R600 ('07) • SV650/X (VP55B) • GSX-R1000 ('09) etc.

ATTENTION ※NOT FOR HIGH CURRENT ACCESSORIES SUCH AS AMPLIFIER & COMPRESSOR etc.

Thank you for purchasing Kitaco product. Read and understand the instruction before installing.

ATTENTIONS (MUST READ)

▼Install POWER SUPPLY EXTRACT HARNESS, referring to below instruction.

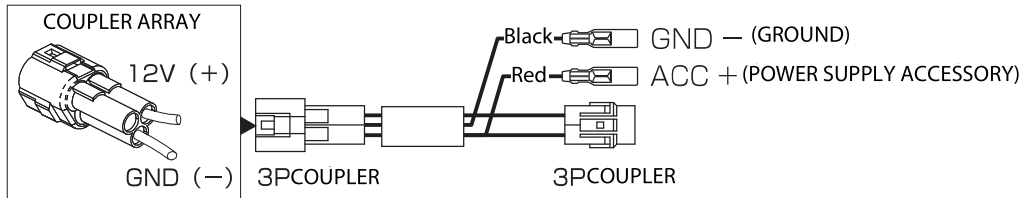
- We are not responsible for violation of law of or damages and accidents caused by assembling mistake and improper setting.
- Please ask authorized mechanic for assembling and setting. Ask a mechanic or a specialist at a specialty shop for assembling and setting if you do not understand the role of the surrounding parts.
- Refer to the SUZUKI service manual for each vehicle when installing.
- POWER SUPPLY EXTRACT HARNESS is designed and made exclusive for GSX-R600 ('07) • SV650/X (VP55B) • GSX-R1000 ('09) etc, do not use on other models.
- Make sure there is no abnormal thing in vehicle and engine starts normally.
- Make sure there is no bolt / nut / coupler terminal left or loosen before running.
- Please give this instruction together when your vehicle is sold.

※NOT FOR HIGH CURRENT ACCESSORIES SUCH AS AMPLIFIER & COMPRESSOR etc.

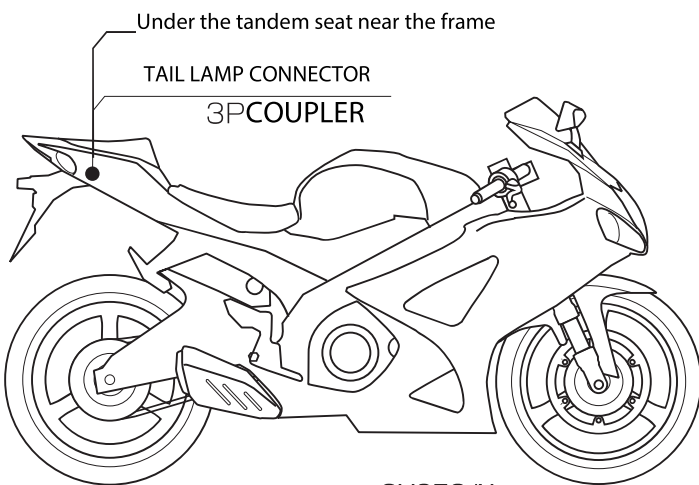


This instruction sheet is for the person who has basic knowledge for maintenance. Do not operate if you do not have skill and knowledge.

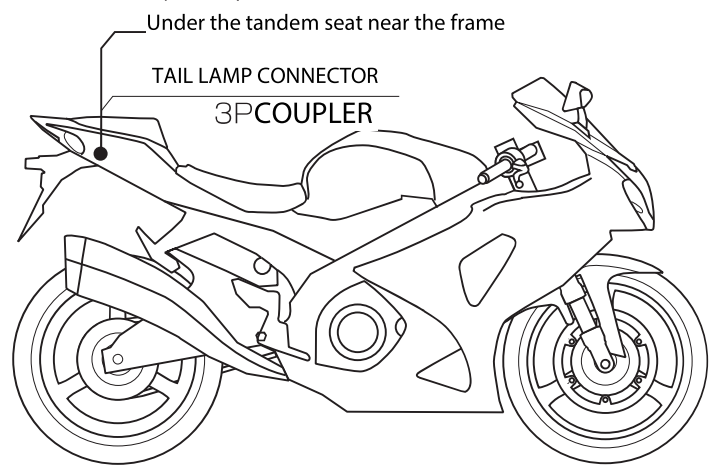
type-2



GSX-R 600



GSX-R1000 (2009)



SV650/X

