

<b>STRONGER STARTER MOTOR</b>		CODE : 758-1432100
APPLICATION	MONKEY 125 (JB02) / GROM (JC61/75) / SUPER CUB C125 (JA48)	
ATTENTION !	Disassembly of Kitaco starter motor is not allowed Battery requires enough power. New battery recommended. Flywheel nut might get loosen. Periodical maintenance & fastening inspection required.	

•Thank you for purchasing Kitaco product. Read and understand the instruction before installing.

### ■ ATTENTIONS (MUST READ)

▼Make sure to install this product with below attention, otherwise it causes serous injury or death.

- We are not responsible for damages and accidents caused by assembling mistake and improper setting.
- Please ask mechanic for assembling and setting.  
Ask a specialist at specialty shop if you do not understand the role of the surrounding parts.
- Refer to the manufacturer service manual when installation
- STRONGER STARTER MOTOR is designed and made exclusive for above, do not use on other models.
- After installation, make sure to confirm that vehicle does not have abnormality & engine does not stop abnormally.
- Make sure there is no bolt / nut / coupler / terminal left or loosen before starting motor.
- Please give this instruction together when your vehicle is sold.



This instruction sheet is for the person who has basic knowledge for maintenance.  
Do not operate if you do not have skill and knowledge.

<b>STRONGER STARTER MOTOR</b>		CODE : 758-1432100
APPLICATION	MONKEY 125 (JB02) / GROM (JC61/75) / SUPER CUB C125 (JA48)	
ATTENTION !	Disassembly of Kitaco starter motor is not allowed Battery requires enough power. New battery recommended. Flywheel nut might get loosen. Periodical maintenance & fastening inspection required.	

•Thank you for purchasing Kitaco product. Read and understand the instruction before installing.

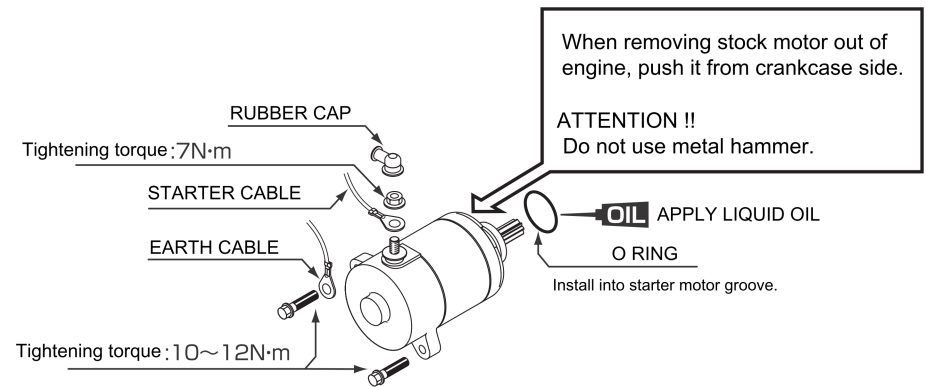
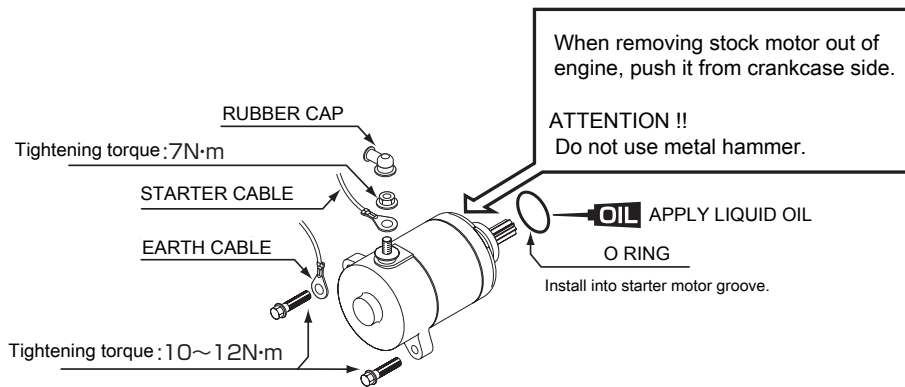
### ■ ATTENTIONS (MUST READ)

▼Make sure to install this product with below attention, otherwise it causes serous injury or death.

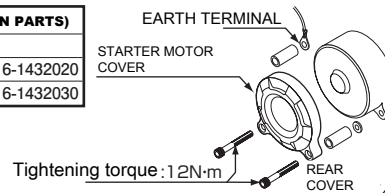
- We are not responsible for damages and accidents caused by assembling mistake and improper setting.
- Please ask mechanic for assembling and setting.  
Ask a specialist at specialty shop if you do not understand the role of the surrounding parts.
- Refer to the manufacturer service manual when installation
- STRONGER STARTER MOTOR is designed and made exclusive for above, do not use on other models.
- After installation, make sure to confirm that vehicle does not have abnormality & engine does not stop abnormally.
- Make sure there is no bolt / nut / coupler / terminal left or loosen before starting motor.
- Please give this instruction together when your vehicle is sold.



This instruction sheet is for the person who has basic knowledge for maintenance.  
Do not operate if you do not have skill and knowledge.



<b>STARTER MOTOR COVER (OPTION PARTS)</b>	
CODE	
( BLACK ) 316-1432000	( SILVER ) 316-1432020
( RED ) 316-1432010	( GOLD ) 316-1432030



<b>STARTER MOTOR COVER (OPTION PARTS)</b>	
CODE	
( BLACK ) 316-1432000	( SILVER ) 316-1432020
( RED ) 316-1432010	( GOLD ) 316-1432030

