

SPEED PULSE CONVERT UNIT No.1/2 CODE : 762-1470100
APPLICATION : HUNTER CUB CT125 (JA55)
 REMARK | This product might not work with other company's meter.

- Thank you for purchasing Kitaco product. Read and understand the instruction before installing.
- ※ Repairing parts do not have this instruction sheet. Keep this instruction sheet safe.

ATTENTION (MUST READ)

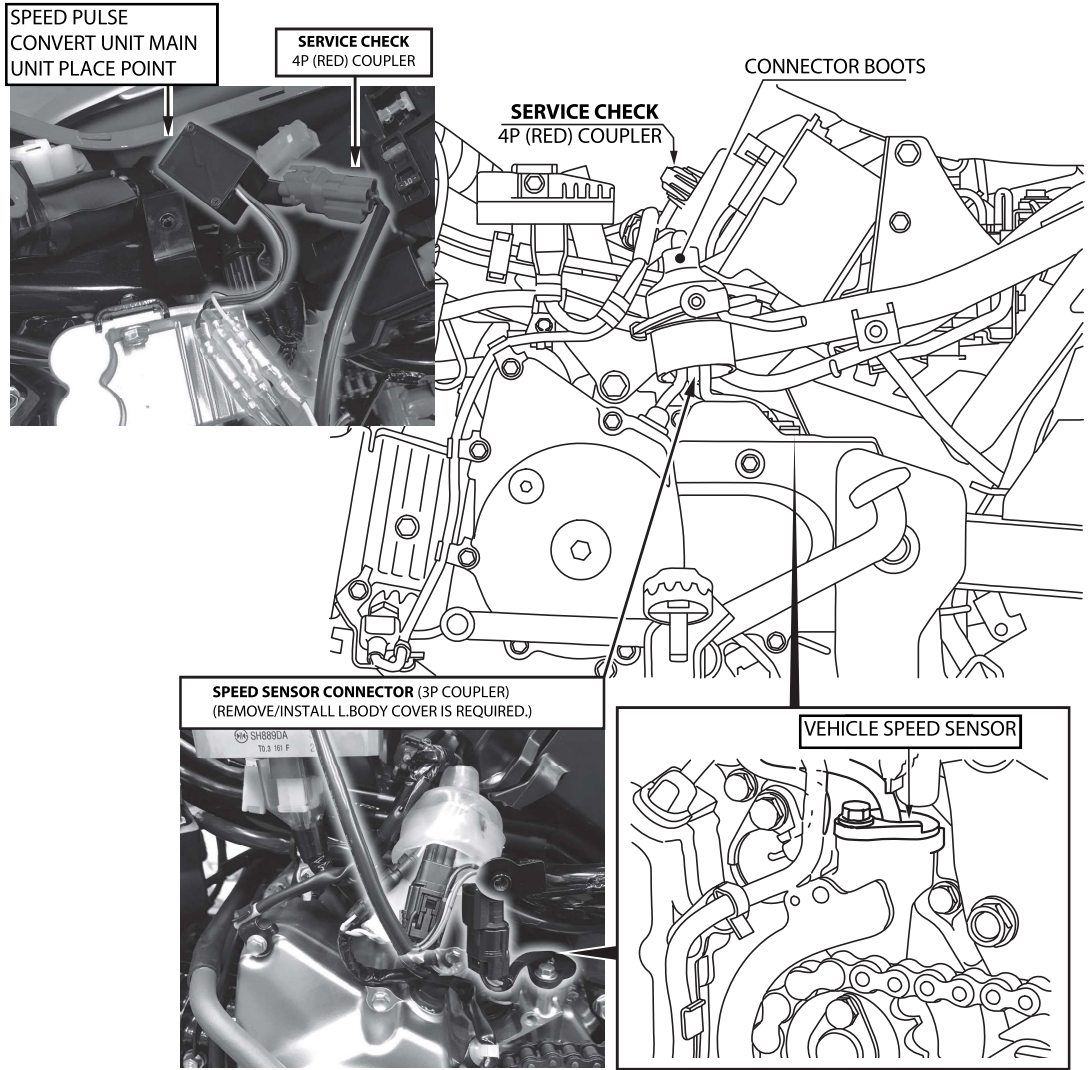
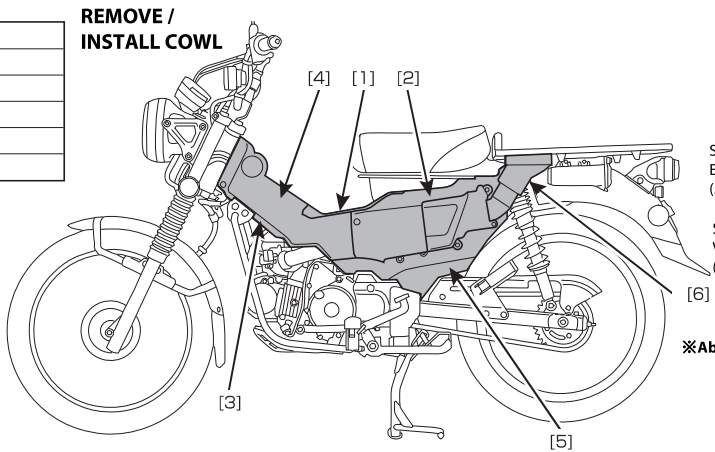
- We are not responsible for violation of law or damages and accidents caused by assembling mistake and improper setting.
- Please ask authorized mechanic for assembling and setting.
- Do not modify the way which is not listed or it will cause damage and trouble. Do not give a strong shock and disassemble.
- Refer to the manufacturer service manual when installation.

SPEC	Calculating speed by counter shaft (front sprocket shaft) rev(pulse signal), the actual speed might different from display speed depending on counter shaft rev, sprocket numbers and tire sizes. EFFECT This product is setting parts to fix the speed display error (manual setting) by changing sprocket (reduction ratio) or tire sizes (perimeter).
ATTENTION (MUST READ)	<p>▼INSTALLATION AND USING</p> <ul style="list-style-type: none"> ● We are not responsible for the installation of special electrical customized vehicle. (HID, audio products, etc) ● This kit is not completely waterproof. Place it where it does not get wet or rain. ● For wiring process, please follow instruction and wiring illustration. ● This product is precision equipment. If install to a lot of vibration place, it cause inability to perform as intended and at the worst case, it might break. If mounting beside of engine, it might malfunction by heat and vibration. ※ Malfunction by heat and vibration is out of warranty. Be careful of it. ● Do not install near the IG coil, high tension code, etc, it might cause of trouble. ● Do not disassemble. It might cause of trouble and break.

INSTALL

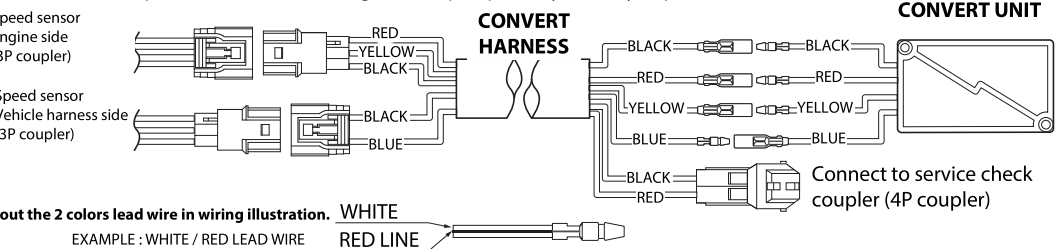
- ※ For installing this product, removing/installing outer cowl is required. Refer to the genuine service manual when installation. Please remove the battery to connect wire. It might cause of accident.
- 1 Insert convert harness from speed sensor (3P coupler · white/green lead wire) inside connector boots.
- 2 Refer to the instruction No.2, do the revise setting of front/rear sprocket · tire size.

[1]	CENTER COVER
[2]	AIR CLEANER GARNISH / CASE
[3]	MAIN PIPE LOWER COVER
[4]	L. MAIN PIPE COVER
[5]	L. SIDE COVER
[6]	AIR CLEANER DUCT CAP



●WIRING ILLUSTRATION

※Must to waterproof treatment to wiring and coupler point by roll vinyl tape, etc.

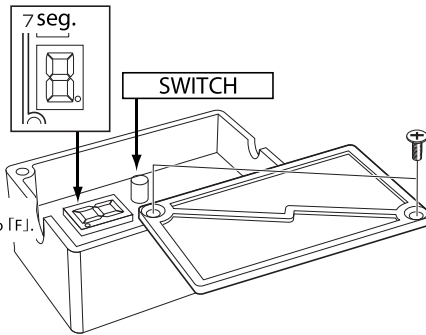


※About the 2 colors lead wire in wiring illustration. WHITE

SPEED PULSE CONVERT UNIT No.2/2	CODE : 762-1470100
APPLICATION : HUNTER CUB CT125 (JA55)	
REMARK This product might not work with other company's meter.	

HOW TO SET UP AND USE

- Input the front / rear sprocket teeth and tire size to pulse output main unit. When setting, there is a counter and switch (push button) inside the main unit, please remove lid (with 2 screws).
 - Turn ignition on while pushing push button switch. After 7seg. LED is lit, leave the push button switch. It turns to setting mode, so please set up revise value of front / rear sprocket and tire sizes referring to the diagram. [Refer to the setting diagram.]
 - Finish setting mode. Display the [F]→[R]→[r] in this order, then turn the ignition off after turning back to [F].
- ※ [Default setting is (genuine sprocket teeth : 14T-39T) (revise value:100%) .]
- ※ Getting back to [F] to save the setting.
Make sure not to loosen any parts before riding. Please do a test ride to check the meter display correctly.
- ※ Do not set up on public road. Riding with wrong setting may cause of road traffic law violation.



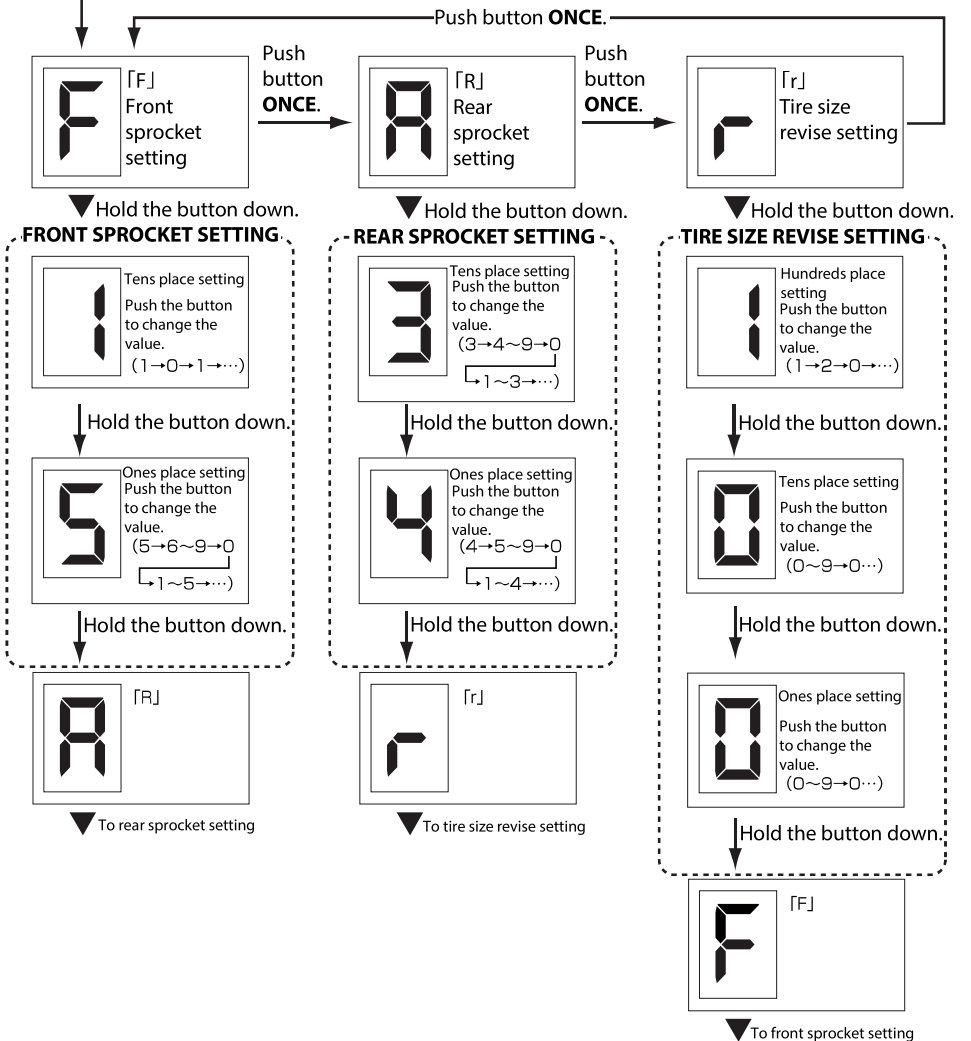
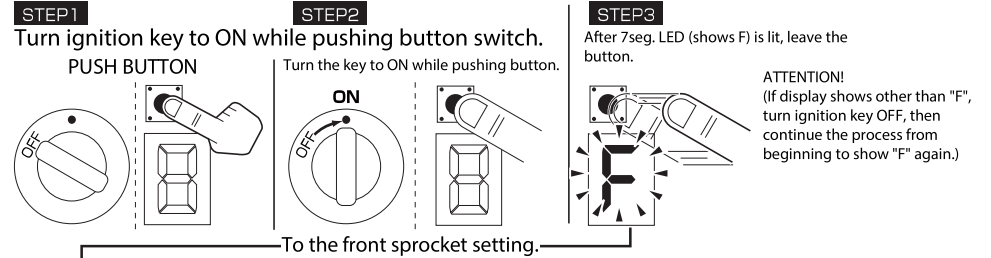
● HOW TO CALCULATE TIRE SIZE REVISE VALUE

Measure the tire O.D. and note it.
Calculate the O.D. length changing to % following below, then input the numerical value to tire size revise value setting mode.
If you do not revise, input the default [100].

	TIRE SIZE	O.D.	REVISE VALUE	REMARK
-	HUNTER CUB CT125 GENUINE TIRE(REAR)	80/90-17	576mm	100% Default setting
Ex	-	70/90-17	558mm	About 96% ← INPUT VALUE
-	-	90/90-17	594mm	About 103%

● FRONT / REAR SPROCKET · TIRE SIZE FIXING SETTING DIAGRAM

HOW TO START



220127 M-T



〒 577-0015
3-8-13
NAGATA, HIGASHI-
OSAKA, OSAKA, JAPAN
N