

" i-map " + HARNESS KIT [POWER PACK 125] No.1/2

CODE : 763-1432110

APPLICATION : GROM (FNO,JC61-1000001 ~ 1299999/JC61-1300001 ~)

● Thank you for purchasing Kitaco product. Read and understand the instruction before installing.

ATTENTIONS (MUST READ)

- I-MAP is designed and made only for HONDA GROM, do not use for other models. Its main purpose to ride at closed race course. For use of public street, riders should be aware of, understand or follow all regional, national and local laws and regulations. All the acts are rider's responsibility, not Kitaco.
- Do not modify the way which is not listed or it will cause damage and trouble.
- We are not responsible for damages and accidents caused by assembling mistake and improper setting.
- Please ask mechanic for assembling and setting.
- Ask a specialist at specialty shop if you do not understand the role of the surrounding parts.
- Refer to the manufacturer service manual when installation
- This instruction sheet is for the instruction with stock condition.
- Installing I-MAP will change the output of the engine, which requires reinforcement of braking & controllability parts, according to it. Ride carefully with understanding.
- Never try to spark plug outside cylinder for inspection, which catches fire to cause unexpected explosion.
- Please contact a mechanic nearby immediately when you find something unusual.

FEATURE	<p>I-MAP is to remove limiter function for engine maximum performance.</p> <ul style="list-style-type: none"> ○ Change recommended map with DIP switch With DIP SWITCH, you can select a map from recommended pattern. ○ Rev limiter cut function built-in. ※ It does not rev-up without tuning such as big bore kit and so on. ※ No ignition cut function built-in ○ User original map makeable <p>With PC interface cable (sold separately), you can edit and adjust ±40% injection amount every throttle openings.</p> <p>※ Fuel Manager Reading and writing software developed especially for I-MAP. Downloadable from Kitaco website.</p> <p>※ ±40% correction value According to revolution / throttle openings range, +40% might not be possible. (Trying not to keep blowing for safety)</p>
ATTENTION (MUST READ)	<p>▼ ATTENTION ABOUT INSTALLATION</p> <ul style="list-style-type: none"> ● This item does not fully perform with full stock engine. Variety of maps are pre-installed for Kitaco parts installed engines, but further fuel / air adjustment might be required when using other manufacturer's parts such as muffler, camshaft, air cleaner and so on. ● Do not install I-MAP close to somewhere strong noise occurs close to like ignition coil to avoid errors and future trouble. ● This item activates when electric system is OEM condition and might not be able to work correctly if following parts are installed together (spark plug, plug cap, high tension code, ignition coil, HID, audio components and so on) ● This item (especially DIP switch) is not 100% waterproof. Place it to the somewhere which does not get wet. ● Wiring mods should be followed by instruction. Do not earth on frame for safety. ● Do not put it to the place which vibrates and has heat all the time which might cause to work incorrectly or to be broken. Use anti-vibration rubber for cushion. ※ Breakdown according to heat or vibration is not covered under warranty. ● Never disassemble I-MAP.

PACKING LIST

PARTS NAME	CODE	PCS	
INJECTION CONTROLLER (i-map)	763-1432530	X 1	
BULLET TERMINAL (M) CA104	755-0900610	X 3	installed
SLEEVE (M/ROUND) P-2.5	755-0900640	X 3	
HARNESS KIT	763-1432581	X 1	

OPTIONAL PARTS (Sold separately)

PC INTERFACE CABLE	763-0500900
GPR UP MUFFLER	548-1432100
APPLICATION : FNo,JC61-1000001 ~ 1299999	
EXTREME-R MUFFLER	541-1444600
APPLICATION : FNo,JC61-1300001 ~	

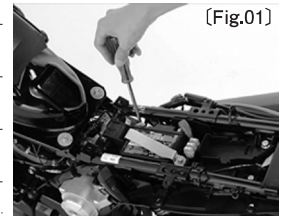
Detection LED indicator

Option LED indicator is required when using I-MAP HARNESS KIT.

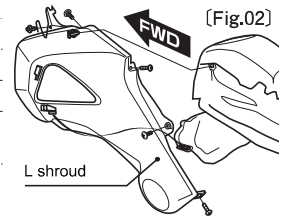
OPTIONAL PARTS		
LED PILOT LAMP (detection)	0901-752-99920	1
BULLET TERMINAL (M) CA104	0900-755-01001	1set

HOW TO INSTALL

- ※ Make sure to refer to Honda service manual together with Kitaco instruction.
- 1 Turn off the main switch. Remove battery (-) terminal. Do not start working with battery on. [Fig.01]
- 2 Remove L side shroud, try not to break cover referring to service manual.
- 3 Remove connector to insert harness kit in each sensor. [Refer to wirings in NO.2]
- 4 Route the harness kit along with wire harness.
- ※ Do not place the harness kit where it interferes with other parts to cause trouble when driving.
- 5 Insert harness kit in removed connector. [Refer to wirings in NO.2]
- ※ Place the I-MAP where it does not get rain as well with sponge for anti-vibration measures.
- 6 Choose the map with I-MAP DIP switch.
- 7 Make sure of coupler connection, see it activate without problem, then install plastics.
- ※ When LED indicator blinks, refer to "TROUBLE SHOOTING" in NO.2.



[Fig.01]

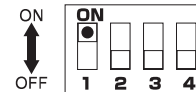


[Fig.02]

MAP SETTING

Using the switch No.1-4 when the setting

DIP SWITCH



Application : GROM (JC61) Ver.2.1		DIP SWITCH ON ●			
MAP	SPECIFIC	1	2	3	4
1	Revolution limiter 11000rpm For 125cc stock condition x GPR muffler				
2	Revolution limiter 11000rpm For 125cc stock condition x TYPE 1 Cam shaft x GPR muffler	●			
3	Revolution limiter 11000rpm For 125cc stock condition x TYPE 2 Cam shaft x GPR muffler		●		
4	Revolution limiter 11000rpm For 133cc light bore up kit x GPR muffler	●	●		
5	Revolution limiter 11000rpm For 133cc light bore up kit x TYPE 1 Cam shaft x GPR muffler POWER PACK 125 Ver.2.0 / 2.1			●	
6	Revolution limiter 11000rpm For 133cc light bore up kit x TYPE 2 Cam shaft x GPR muffler POWER PACK 125 Ver.2.0 / 2.1	●		●	
7	Revolution limiter 11000rpm For 164cc light bore up kit x GPR muffler		●	●	
8	Revolution limiter 11000rpm For 164cc light bore up kit x TYPE 1 Cam shaft x GPR muffler ※ High capacity injector use MAP	●			●
9	Revolution limiter 11000rpm For 164cc light bore up kit x TYPE 2 Cam shaft x GPR muffler ※ High capacity injector use MAP		●		●
10	Revolution limiter 11000rpm For 181cc light bore up kit x GPR muffler ※ High capacity injector use MAP	●	●		●
11	Revolution limiter 11000rpm For 181cc light bore up kit x TYPE 1 Cam shaft x GPR muffler ※ High capacity injector use MAP			●	●
12	Revolution limiter 11000rpm For 181cc light bore up kit x TYPE 2 Cam shaft x GPR muffler ※ High capacity injector use MAP	●		●	●
	Original Map	●	●	●	●
	※ When using the original map, you can change the setting of the injector on the switch 4.				*
	OFF = Stock injector ON = High capacity injector				

ORIGINAL MAP

Connect the i-map for PC with INTERFACE CABLE and making the MAP by using our software (i-map, Fuel-manager)
*Download the "i-map, Fuel-manager" from KITACO web site (<http://www.kitaco.co.jp>)

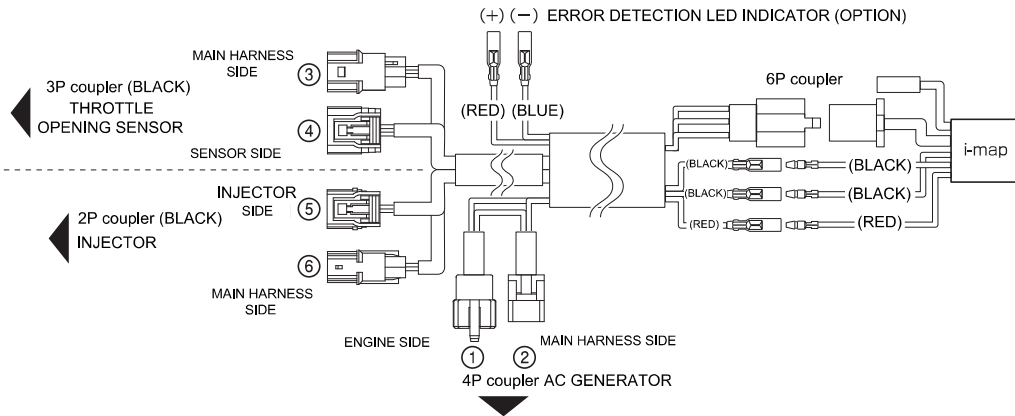
※ It does not rev-up without tuning such as big bore kit and so on.

" i-map " + HARNESS KIT [POWER PACK 125] No.2/2

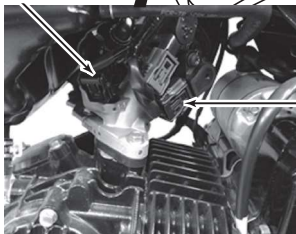
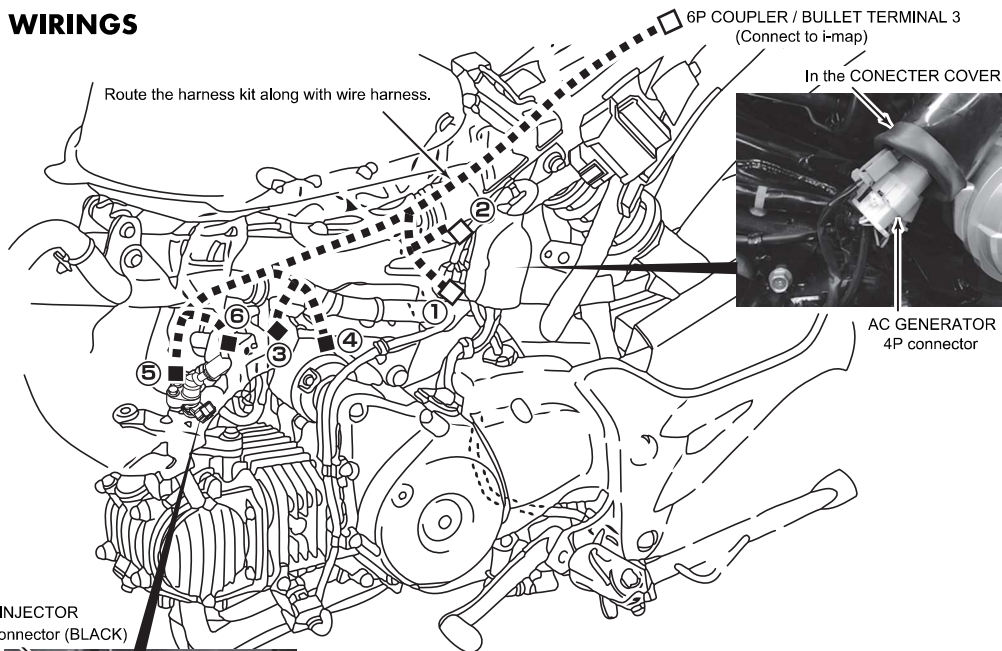
CODE : 763-1432110

APPLICATION : GROM (FNO,JC61-1000001 ~ 1299999/JC61-1300001 ~)

WIRING ※ Uses electric plier (M-shaped) to crimp terminal to lead wire.
 (Soldering after crimp is recommended, but please be careful not to burn other harness tube around it.)
 ※ Make water-proof mods on connected point with vinyl tape and so on.



WIRINGS



THROTTLE OPENING SENSOR
3P connector (BLACK)

ATTENTION !

Make sure that the wirings are correctly connected before ignition key is "ON".

After connection, before turning on the ignition key "ON", make sure to see if wirings are connected correctly again.

If turning on the ignition with incorrect wiring, error detection LED lamp (PGM-FI alert) is on.

Also, it causes Kitaco I-MAP & ECU corruption.

TROUBLE SHOOTING

About injector abnormality (When OPTION LED INJECTOR is installed.)

When abnormality occurs, the warning light flashes on and off as follows.
 Refer to service manual for other errors such as wire disconnection.

TROUBLE EXAMPLE	Abnormal main cause of the injector ⇒ · Coupler is disconnected · Breaking of wire · Damaged injector
COPING PROCESS	○ Please check it along a service manual. ○ If there is acompositive abnormality, remove i-map and check back to normal state. How to return to stock condition 1) Disconnect 110 TYPE 6Pcoupler and wire harness(red, black) with i-map. 2) Remove the coupler of harness kit that you used to insert. That is all to go back to stock condition.