

FRONT EMBLEM KIT

CODE :799-1870000

APPLICATION

CL250 (MC57)

●Thank you for purchasing Kitaco product. Read and understand the instruction before installing.

ATTENTION (MUST READ)

- This product is for dress up. Do not use for other purposes.
 - This product is designed and made exclusive for application vehicle, do not use other models. Do not modify the way which is not listed or it will cause damage and trouble.
 - We are not responsible for violation of law or damages and accidents caused by assembling mistake and improper setting.
 - Please ask authorized mechanic for assembling and setting.
 - Refer to the manufacturer service manual when installation.
 - Bolts and nuts may get loosen by engine vibration. Make sure not to loosen any bolts and nuts before riding.
 - This instruction sheet is for the instruction for genuine condition.
- ※Metal/resin/alumite products get discolored/rust for ages as well as how to use. Please understand when using.

PACKING LIST

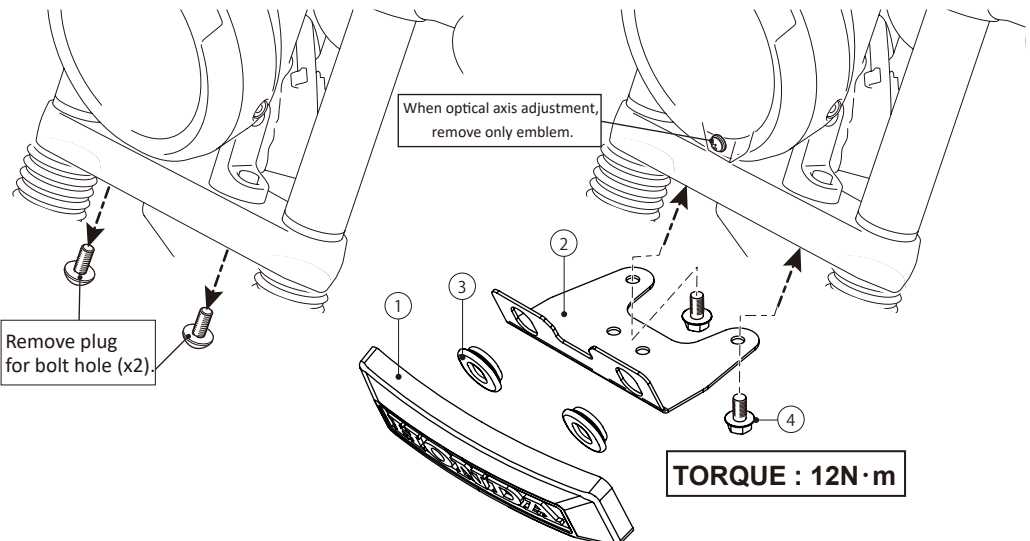
FIGURE	NAME		CODE	QTY	REMARK
1	FRONT COVER (EMBLEM)	HONDA	799-9000101	x1	
2	STAY	EMBLEM	799-1870001	x1	
3	GROMMET	EMBLEM	799-9000102	x2	
4	FLANGE HEXAGON BOLT	M6x12	062-0561012	x2	TORQUE : 12N·m (1.2kgf·m)

HOW TO INSTALL

- Remove plug for M6 bolt on under stem.
(refer to the illustration)
- Install emblem stay with M6 bolts and attach emblem.
- Make sure not to loosen any parts before riding.

ADVICE!

- When installation, install bolts and nuts temporarily to adjust each parts. (If tightening firmly while temporarily installing, miss the bolt hole, etc to cause of unable to install.) After temporarily installing, tighten firmly with following specified torque while adjusting each parts.
- When optical axis adjustment, remove only emblem.



230706 Y-H

KITACO
株式会社 キタコ

3-8-13 NAGATA,
HIGASHI-OSAKA,
OSAKA, JAPAN