

# REAR CARRIER

CODE : 80-539-11340

APPLICATION : XR Motard50 (AD14) /100 (HD13)

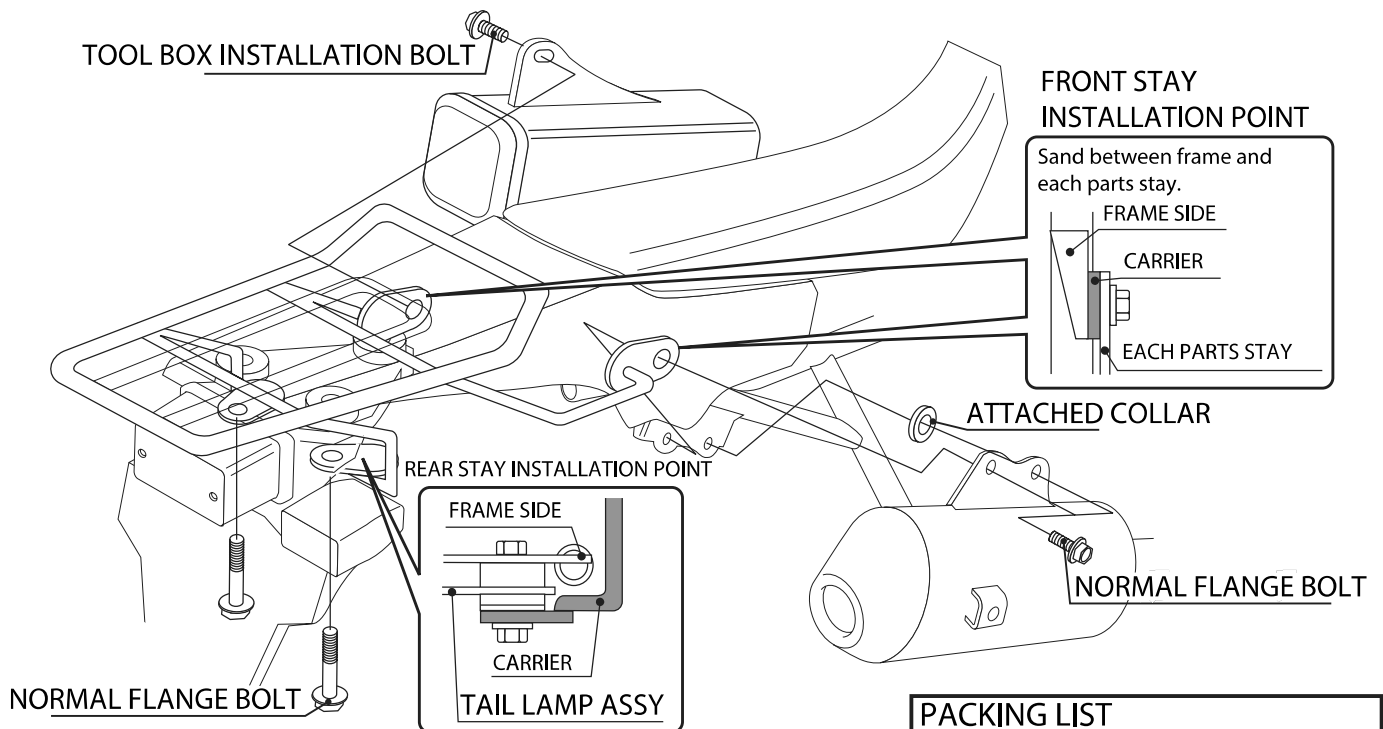
● Thank you for purchasing Kitaco product. Read and understand the instruction before installing.

## ATTENTION (MUST READ)

- This parts is compatible with written vehicle or spec. Uninstallable without written vehicle and spec.
- This instruction sheet is for the instruction for genuine condition.
- We are not responsible for violation of law or damages and accidents caused by assembling mistake and improper setting.
- Please ask authorized mechanic for assembling and setting.
- Refer to the manufacturer service manual when installation.
- Bolts and nuts may get loosen by engine vibration. Make sure not to loosen any bolts and nuts before driving.
- Do not modify the way which is not listed or it will cause damage and trouble.

※ This product can install with normal muffler, Kitaco muffler (single, twin) and Kitaco fender less KIT together.

- 1) Remove tail lamp Assy and muffler installation bolt (flange bolt x 2). (Loosen exhaust pipe side nut.)
  - 2) Install carrier front stay temporarily as illustration, then tighten tail lamp Assy and rear stay together.
  - 3) Insert attached collar between frame and muffler stay on muffler installation bolt front side.
- After installation, make sure not to loosen any parts before riding.



PACKING LIST		
(Refer to the figure & illustration on above.)		
FIGURE	NAME	QTY
1	REAR CARRIER	x1
2	COLLAR 8x20x3mm	x1

- Do not apply excessive force to carrier such as using rope or tie to deliver the vehicle. It might damage the carrier or surrounding parts.
- Do not overweight on carrier. It might damage the carrier. **(Weight limit : 3.0kg)**
- Do not apply excessive force like lifting the vehicle using carrier. When turning the vehicle, use it to helping tool.

211013



〒 577-0015  
3-8-13

NAGATA, HIGASHI-  
OSAKA, OSAKA, JAPAN