

FASHION CARRIER (REAR) / (OPTION) BACK REST		
CODE	REAR CARRIER (BLACK) : 80-539-11530 (OPTION) BACK REST : 652-1153900	REAR CARRIER (WHITE) : 539-1153180
APPLICATION	SUPER CUB 50/PRO (AA09/07) / SUPER CUB 110/PRO (JA59/44/42) / CROSS CUB 50 (AA06) / CROSS CUB 110 (JA60/JA45)	
REMARK	If you install to CUB 110 (JA44), you cannot tandem.	

Thank you for purchasing Kitaco product. Read and understand the instruction before installing.

ATTENTION (MUST READ)

- This instruction sheet is for the instruction for genuine condition.
- Do not apply excessive force to carrier and back rest. it might break surrounding parts.
- This product is designed and made exclusive for application vehicles, do not use other models. Do not modify the way which is not listed or it will cause damage and trouble.
- We are not responsible for violation of law or damages and accidents caused by assembling mistake and improper setting.
- Please ask authorized mechanic for assembling and setting.
- Refer to the manufacturer service manual when installation.
- Bolts and nuts may get loosen by engine vibration. Make sure not to loosen any bolts and nuts before driving.

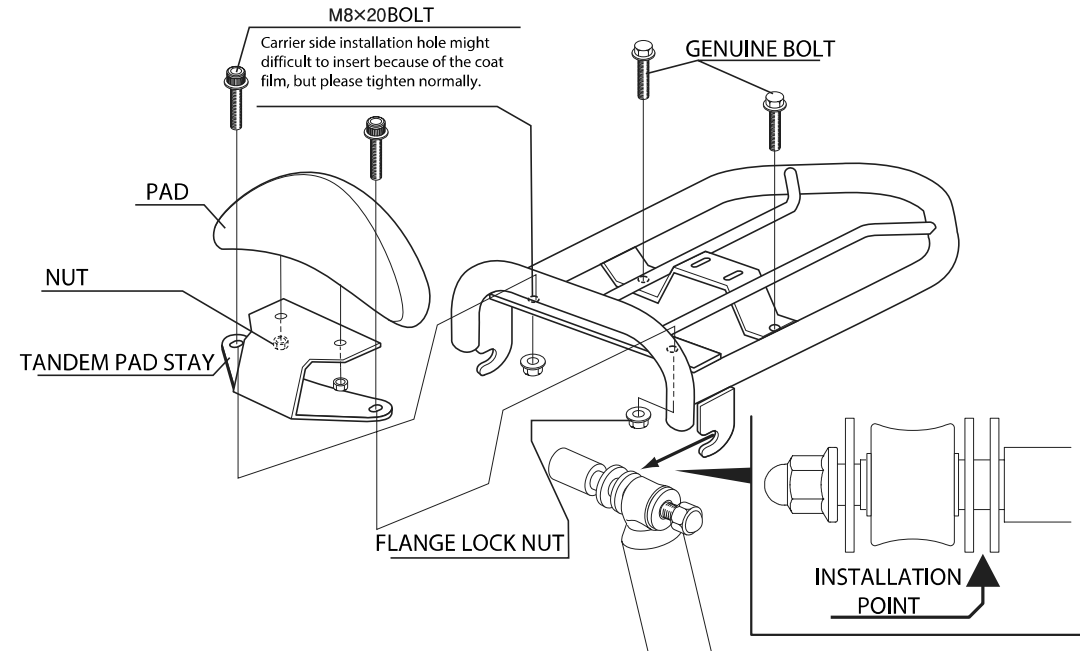
- ⊘ Do not apply excessive force to carrier such as using rope or tie to deliver the vehicle. It might damage the rear carrier or surrounding parts.
- ⊘ Do not overweight on carrier. It might damage the carrier. **(Weight limit : 5.0kg)**(Cannot tandem with installed to 110cc)
- ⚠ Do not apply excessive force like lifting the vehicle using carrier or back rest. When you turning the vehicle, use it to helping tool.

REAR CARRIER PACKING LIST			
CODE	NAME	QTY	
	REAR CARRIER (BLACK / WHITE)	1	

BACK REST PACKING LIST			
CODE	NAME	QTY	REMARK
652-0407110	TANDEM PAD / STAY	1	
080-0560020	FLANGE CAP BOLT	M8 × 20	2 For fixing pad stay.
001-0550008	FLANGE LOCK NUT	8mm	2 For fixing pad stay.
-	NUT	8mm	2 For fixing pad.

HOW TO INSTALL

- ※ If there is a hard degradation like a blem, fatigue and wear etc on the reuse parts, please change to new ones.
- Install Kitaco carrier as same as genuine one with using normal bolts.
- ※ Remove or slide the right side rear shock to out side to install rear carrier. After installation, tighten rear shock mounting nut.
- Install option back rest with back rest stay to carrier.



220915 M-T

KITACO
株式会社 キットコ

〒 577-0015
3-8-13 NAGATA, HIGASHI-
OSAKA, OSAKA, JAPAN