

CENTER CARRIER		
CODE	80-539-13201	
APPLICATION	DAX 125 (JB04)	

Thank you for purchasing Kitaco product. Read and understand the instruction before installing.

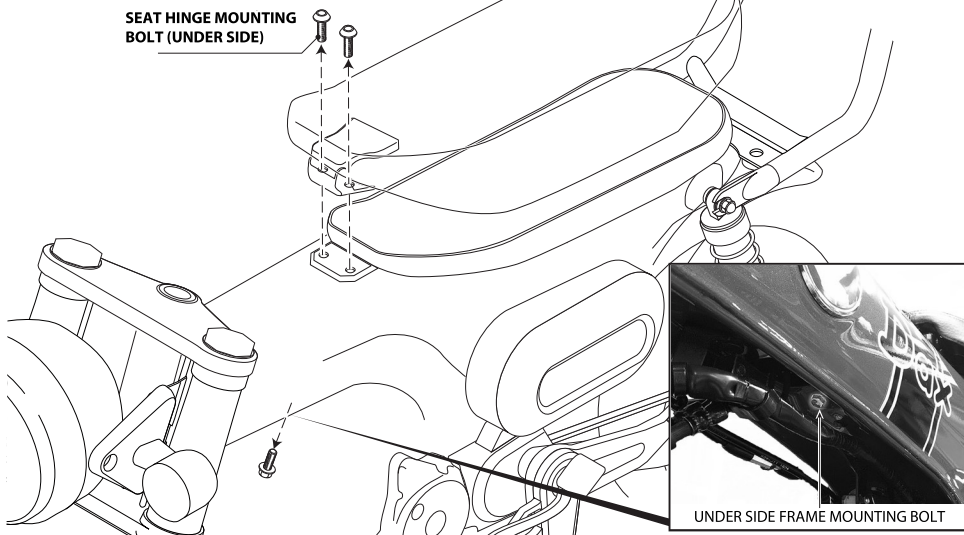
ATTENTIONS (MUST READ)

- This instruction sheet is for the instruction for genuine condition.
- CENTER CARRIER is designed and made exclusive for DAX 125 (JB04), do not use other models. Do not modify the way which is not listed or it will cause damage and trouble.
- We are not responsible for violation of law or damages and accidents caused by assembling mistake and improper setting.
- Please ask authorized mechanic for assembling and setting. Ask a specialist at specisity shop if you do not understand the role of the surrounding parts.
- Refer to the manufacturer service manual when installation.
- Bolts and nuts may get loosen by engine vibration. Make sure not to loosen any bolts and nuts before driving.

PACKING LIST (Refer to the figures & illustration right side)				
FIGURE	NAME		CODE	QTY
1	CENTER CARRIER		539-1320201	x1
2	STAY		539-1320202	x1
3	CAP BOLT	M6x20	060-0500020	x2
4	FLANGE CAP BOLT	M6x15	060-0560015	x3
5	WASHER	6.5x16xT1.6	090-0907006	x2
6	SPRING WASHER	6mm	091-0500006	x1

- ⊘ Do not apply excessive force to carrier when you use rope or tie to deliver the vehicle. It might damage the front carrier or surrounding parts.
- ⊘ Do not overweight on carrier. It might damage the carrier. **(Weight limit:0.5kg)**
- ⚠ Do not apply excessive force like as lifting vehicles by using carrier,etc.

Illustration for genuine bolts removing/installing



HOW TO INSTALL

- ※ If there is a hard degradation like a blem, fatigue and wear etc on the reuse parts, please change to new ones.
- Install CENTER CARRIER temporarily with attached bolts by using seat hinge mounting bolt and underside frame mounting bolt position.
- ※ **Tighten bolts alternately evenly with adjusting the center carrier.**
- Tighten one bolt at a time may not be possible to install normally.

M6 TIGHTENING TORQUE
10 N·m (1.0 kgf·m)

