

REAR LUGGAGE CARRIER			
CODE	(BLACK) 80-539-14520		-
APPLICATION	GROM (JC92)		
REMARK	GRAB BAR and HELMET HOLDER for JC92 GROM(80-564-14520) are cannot be usable. ※Helmet holder stay cannot use together. (Helmet lock itself can be installed to the carrier)		

Thank you for purchasing KITACO product. Read and understand the instruction before installing.

ATTENTIONS (MUST READ)

- This instruction sheet is for the instruction for genuine condition.
- This parts is designed and made exclusive for GROM(JC92), do not use other models.
- We are not responsible for damages and accidents caused by assembling mistake and improper setting.
- Please ask authorized mechanic for assembling and setting. Ask a specialist at specialty shop if you do not understand the role of the surrounding parts.
- When installing, please refer to the manufacturer service manual.
- Bolts and nuts may get loosen by engine vibration.

⊘ Do not apply excessive force to carrier or grab bar when you use rope or tie to deliver the vehicle. It might damage the rear carrier or surrounding parts.

⊘ Do not overweight on carrier. It might damage the carrier.(Weight limit : 9.0kg)

⚠ Do not apply excessive force like lift the vehicle using carrier or grab bar. When you turning the vehicle, use it to helping tool.

PACKING LIST

FIGURE	NAME	CODE	QTY	REMARK
1	REAR CARRIER BLACK (STEEL)	539-1452150A	x1	
2	SPACER COLLAR	-	x4	
3	WASHER 8.5x22xT2.3mm	090-0801220	x4	
4	CAP BOLT M8x55	080-0510055	x4	Tightening torque:22N·m(2.2kgf·m)

(OP) OPTIONAL PARTS

NAME	CODE	REMARK
HELMET LOCK (T-2) BLACK	503-0600100	PLATE SCREW M6x30
CHROME	503-0600110	

HOW TO INSTALL

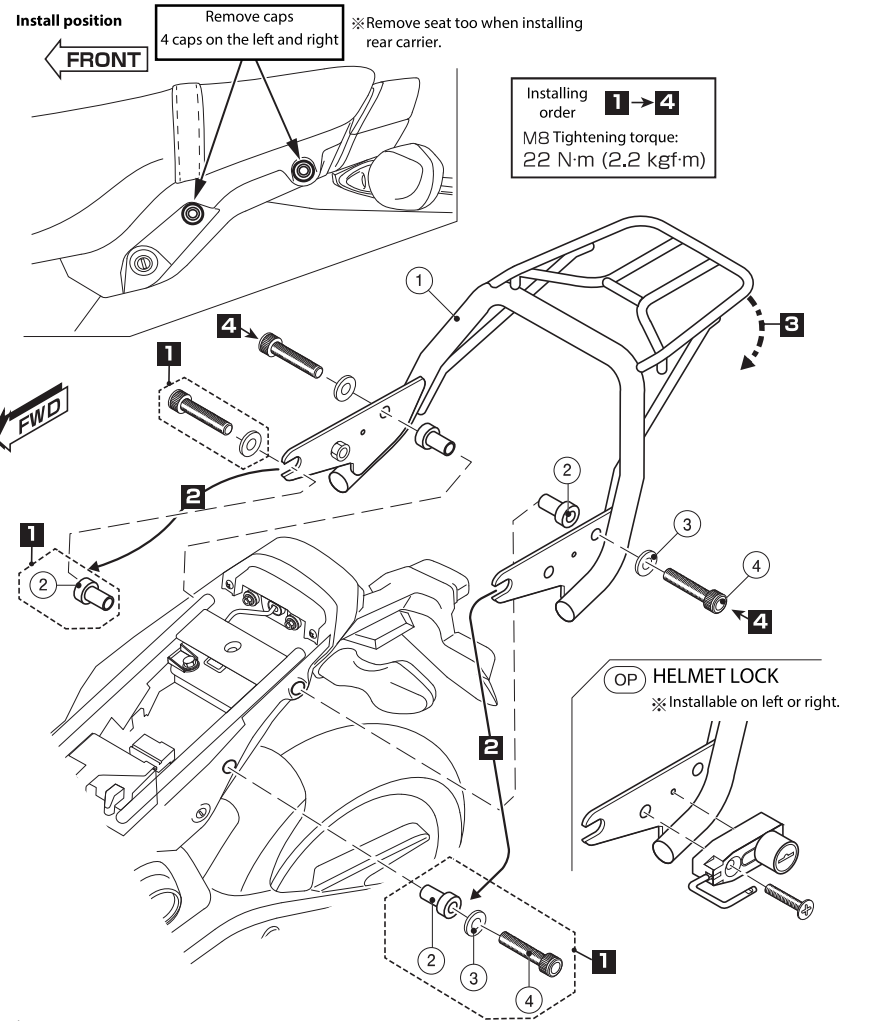
- 1) Remove the 4 caps on rear side cover and seat.
- 2) Install with attached bolts and collars to rear rail.(to the removed cap position)(Refer to the illustration on the right side)
※Install the carrier temporary following the illustration.
- 3) When installing, final tightening the bolts that temporary. Finally, make sure not to loosen and work well before riding.

ABOUT HELMET LOCK(OPTIONAL)

※The helmet holder(80-564-14520) stay cannot use together, but helmet lock itself can be installed to carrier.

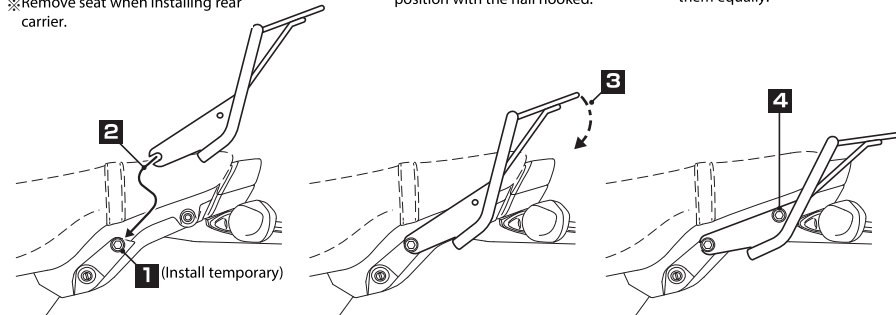
HOW TO CARE

Rust occurs depending on how to use. Especially, after the rain or washing vehicle, please wipe off moisture and apply anti rust, etc.



Installing order

- 1 Install the bolts and nuts temporary.
- 2 Hook the nail to bolts diagonally above.
※Remove seat when installing rear carrier.
- 3 Lower it down to the hole position with the nail hooked.
- 4 Install the bolts and collars and tighten them equally.



220526 Y-H

〒 577-0015
3-8-13

KITACO NAGATA,HIGASHI-
株式会社 キタコ OSAKA,OSAKA,577-0015,