

FRONT CARRIER	
CODE	(BLACK) 80-539-147021
APPLICATION	CT125 HUNTER CUB (JA55)
REMARK	

Thank you for purchasing Kitaco product. Read and understand the instruction before installing.

ATTENTION (MUST READ)

- This instruction sheet is for the instruction for genuine condition.
- This product is designed and made exclusive for application vehicle, do not use other models. Do not modify the way which is not listed or it will cause damage and trouble.
- We are not responsible for violation of law or damages and accidents caused by assembling mistake and improper setting.
- Please ask authorized mechanic for assembling and setting.
- Refer to the manufacturer service manual when installation.
- Bolts and nuts may get loosen by engine vibration. Make sure not to loosen any bolts and nuts before driving.

PACKING LIST				
FIGURE	NAME	CODE	QTY	
1	FRONT CARRIER	539-1470001	x1	
2	SPACER COLLAR 8,2x16xT6	539-1470002	x2	
3	CAP BOLT M8x50	080-0500050	x2	
4	CAP BOLT M8x65	080-0500065	x2	
5	WASHER 8x16x1.2	090-0900008	x4	

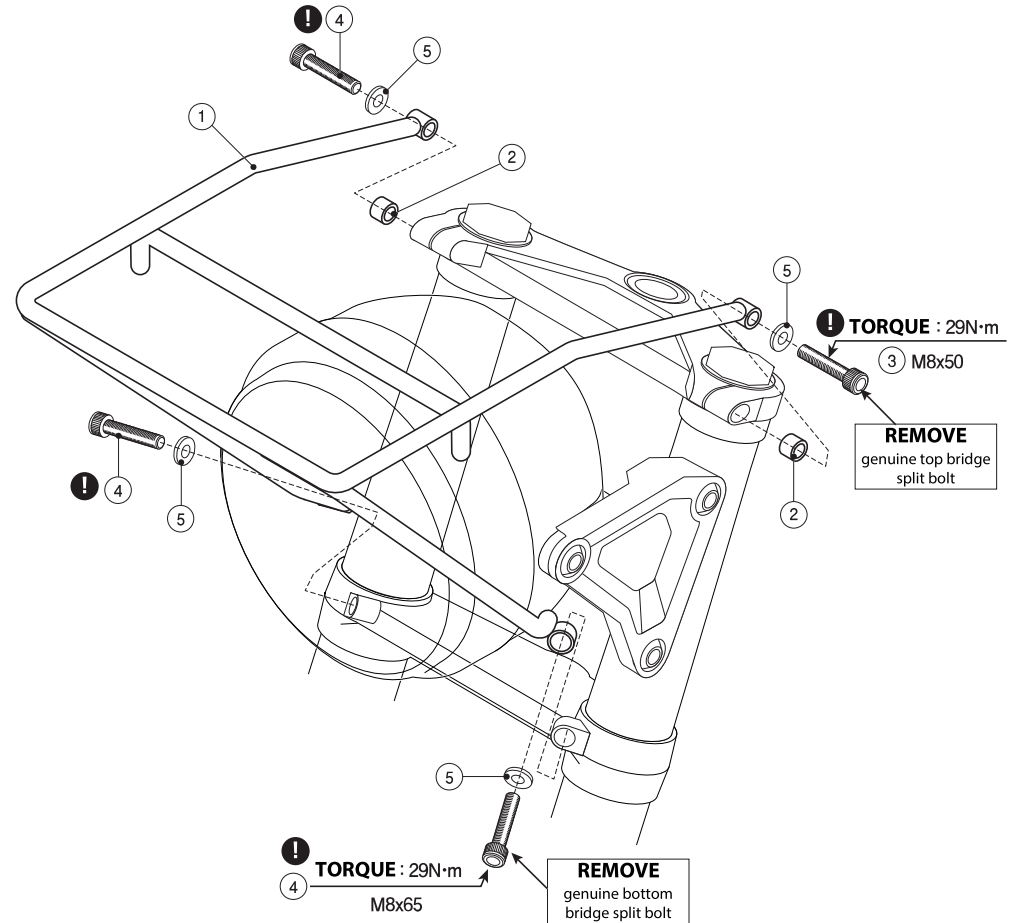
- ⊘ Do not apply excessive force to carrier when you use rope or tie to deliver the vehicle. It might damage the carrier or surrounding parts.
- ⊘ Do not overweight on carrier. It might damage the carrier. **(Weight limit : 1.0kg)**
- ⚠ Do not put on things to prevent handling. This carrier is for assistance.

⚠ When installation, loosen the top/bottom bridge split bot that fix front fork. Make sure to fix the vehicle by hinging handle, etc before installation.

HOW TO INSTALL

※If there is a hard degradation like a blem, fatigue and wear etc on the reuse parts, please change to new ones. Install fashion carrier to top/bottom bridge to split bolt position with attached bolts.

⚠ **TORQUE MANAGEMENT IS NEEDED**
If you do not follow the torque of the top/bottom bridge bolts, front fork might come off while running. Make sure to tighten the bolts with specified torque.



211122 M-T

KITACO
株式会社 中ノ口

〒 577-0015
3-8-13 NAGATA, HIGASHI-
OSAKA, OSAKA, JAPAN