

# HELMET HOLDER

APPLICATION: ADV160 (KF54)

CODE : BLACK 80-564-14610

● Thank you for purchasing Kitaco product. Read and understand the instruction before installing.

## ATTENTION (MUST READ)

- This product is for easy helmet lock to vehicle when parking, not for anti-theft. Be careful of it.
- This product is designed and made exclusive for application vehicles, do not use other models. Do not modify the way which is not listed or it will cause damage and trouble.
- We are not responsible for violation of law or damages and accidents caused by assembling mistake and improper setting.
- Please ask authorized mechanic for assembling and setting.
- Bolts and nuts may get loosen by engine vibration. Make sure not to loosen any bolts and nuts before driving.

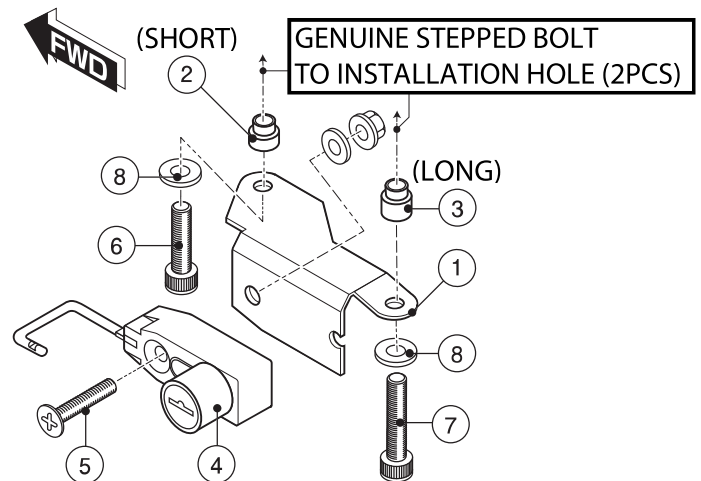
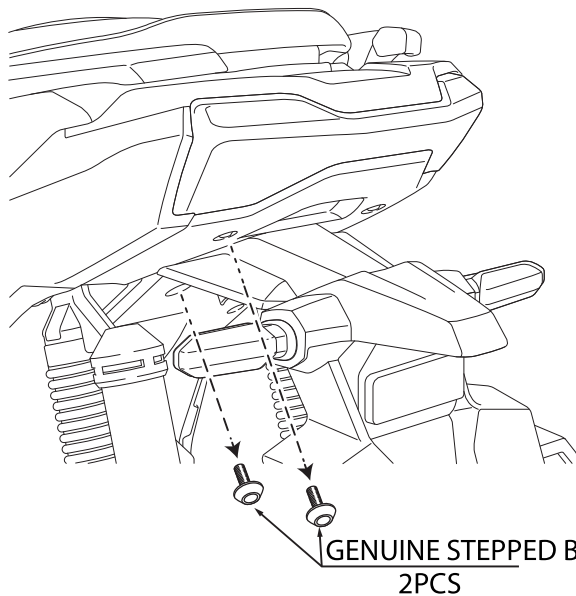
## PACKING LIST

FIGURE	NAME		CODE	QTY
1	HELMET HOLDER PLATE		564-1461001	x1
2	STEPPED COLLAR A	SHORT	564-1461002	x1
3	STEPPED COLLAR B	LONG	564-1461003	x1
4	HELMET LOCK (T-2)	BLACK	503-0600100	x1
5	FLAT HEAD SCREW	M6x30	063-0511030	x1
6	CAP BOLT	M5x22	050-0550022	x1
7	CAP BOLT	M5x25	050-0550025	x1
8	WASHER	5x12x1.0	090-0900005	x2

## HOW TO INSTALL

- Loosen rear fender B L side 2pcs stepped bolt.
- Tighten L side rear fender B and helmet holder together.

- Make sure not to loosen any parts before riding.



## ATTENTION!

- When using helmet lock, according to how to fix helmet, it might touch the vehicle and it causes of scratch. Avoid to use while riding.
- We do not accept the order of spare key. Please keep it safe. (We are not responsible for the lost spare key.)
- Do not ride with helmet lock, it might cause of accident.
- For key cylinder maintenance, recommend to use maintenance spray for key cylinder (lock oil). Do not use anti-dust lubricant.

221110 M-T

**KITACO**  
株式会社 キタコ

〒 577-0015  
3-8-13 NAGATA, HIGASHI-  
OSAKA, OSAKA, JAPAN