

MULTI PURPOSE BAR

CODE	80-638-28040
APPLICATION	GSX-S1000 (EK1AA)
USAGE	This is stay with bar that compatible with $\phi 22.2$ handle clamp mobile holder, drink holder, etc. (These holders are not attached.)

- Thank you for purchasing Kitaco product. Read and understand the instruction before installing.

ATTENTION! (MUST READ)

- This instruction sheet is for the instruction for genuine condition.
- This product is stay for $\phi 22.2$ handle clamp compatible with each holders. Do not use for other purposes. Do not modify the way which is not listed or it will cause damage and trouble.
- We are not responsible for violation of law or damages and accidents caused by assembling mistake and improper setting.
- Please ask authorized mechanic for assembling and setting.
- Refer to the manufacturer service manual when installation.
- Bolts and nuts may get loosen by engine vibration. Make sure not to loosen any bolts and nuts before driving.

ATTENTION! (MUST READ)

- When installing this product to handle, do not apply excessive force to prevent handling. It might cause of break or cause of accident. **【Weight limit:500g】**
- When installing commercial holder, install it firmly. We recommend to prevent falling strap, band, etc from falling. We do not take responsibility of the product that installed.
- Please ride under the legal speed. It is designed under flat surface. Do not use for competition or bad road riding.
- Do not gaze or use the mobile phone, adjusting degree while riding.
- Do not use, keep or leave mobile phone under the direct sunlight. It might cause of machine break. Please follow the machine instruction.

PACKING LIST

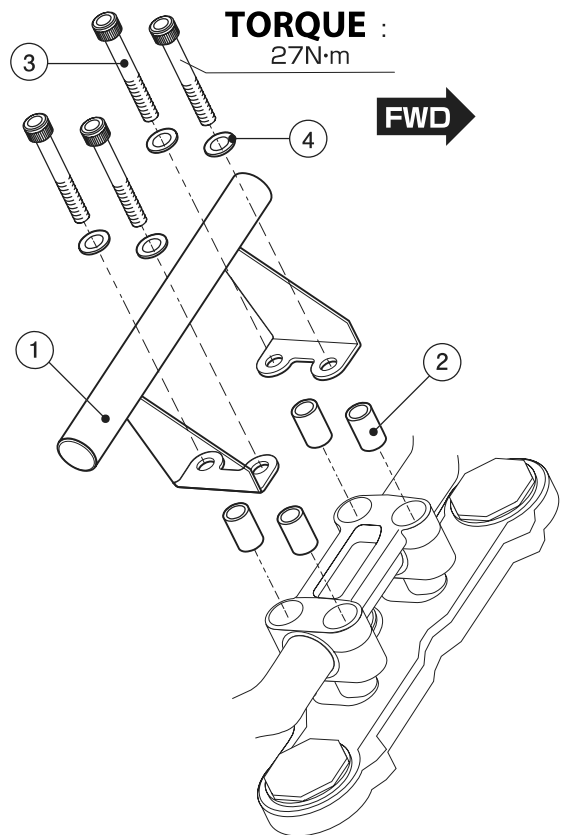
FIG	NAME	CODE	QTY
1	MULTI PURPOSE BAR	638-2804001	x1
	END CAP 22.2/ BLACK	998-0900006	x2
2	SPACER COLLAR 13x8.2x15L	093-9000049	x4
3	CAP BOLT M8x45	080-0500045	x4
4	FLAT WASHER 8x16x1.2	090-0900008	x4

REMOVE

- If there is a cap on handle upper holder cap bolt head, remove it.
- Loosen back side cap bolt first, then loosen front side bolt.

INSTALL

- Check the upper holder shape, then install to lower holder.
- Install multi purpose bar and attached collar to upper holder with attached bolts as illustration.
- ※ Bolt tightening procedure is, tighten 2pcs on front side, then 2pcs on back side.
- ※ Check the each screw tightening and break regularly.



220525 Y-H



株式会社 千九

〒 577-0015
3-8-13

NAGATA, HIGASHI-
OSAKA, OSAKA, JAPAN