

TANDEM BACK REST kit

CODE	(LARGE PAD) 80-652-18700
APPLICATION	CL250 (MC57) /500 (PC68)

Thank you for purchasing Kitaco product. Read and understand the instruction before installing.

ATTENTION (MUST READ)

- This instruction sheet is for stock condition.
- This product is designed and made exclusive for application vehicles, do not use other models. Do not modify the way which is not listed or it will cause damage and trouble.
- We are not responsible for violation of law or damages and accidents caused by assembling mistake and improper setting.
- Please ask authorized mechanic for assembling and setting.
- Refer to the manufacturer service manual when installation.
- Bolts and nuts may get loosen by engine vibration. Make sure not to loosen any bolts and nuts before driving.

ATTENTION!

- This product does not have enough toughness. Please use back rest as support.
- Pad is not perfectly waterproof. Water might penetrated to pad by rain or wash even if the surface is dry. It might affect to passenger. Please understand before using.
- Direct sunlight or ages may cause of discolored. Please understand before using.



Do not apply excessive force like using rope or tie down belt to deliver vehicle. It may damage this product or surrounding parts.



Do not apply excessive force like lifting vehicle by using this product. When turning vehicle, please use as support.

PACKING LIST

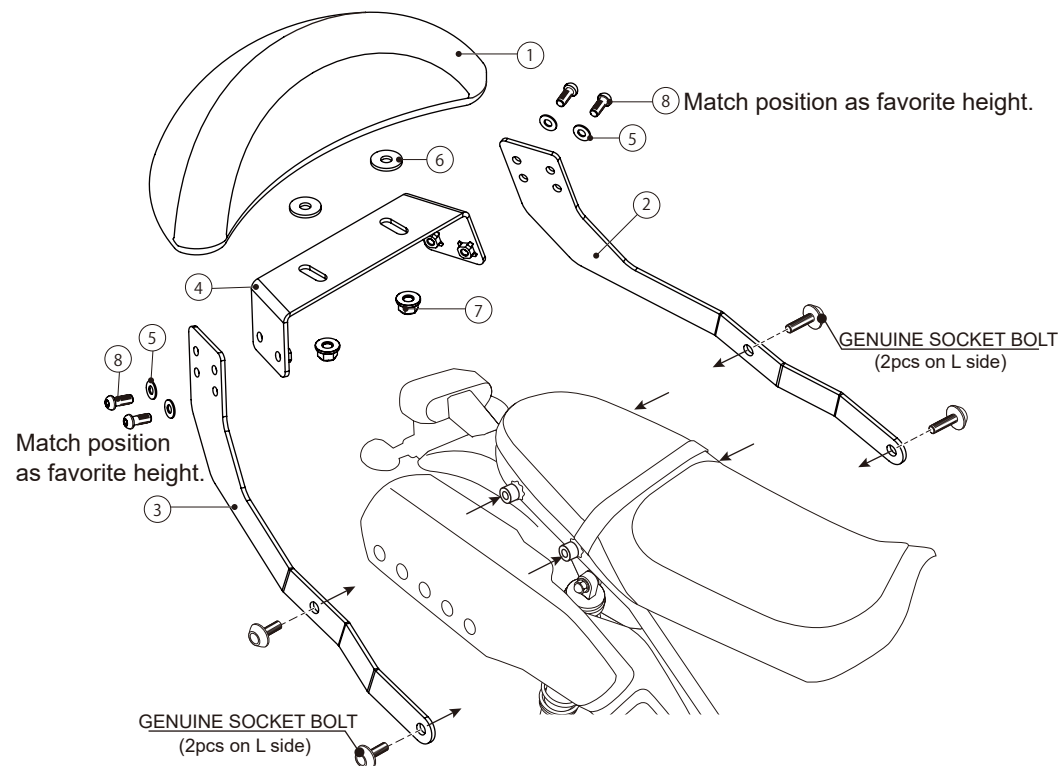
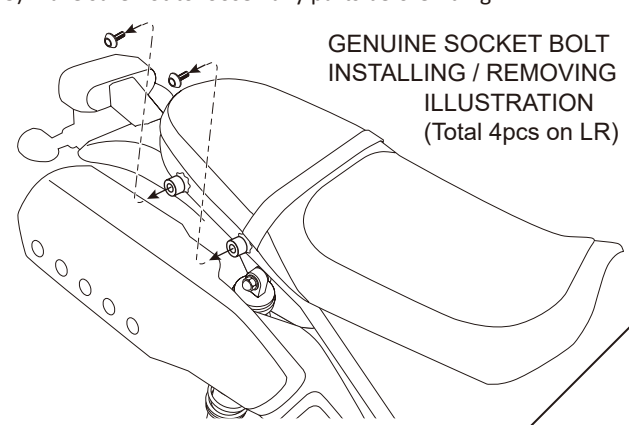
FIGURE	NAME	CODE	QTY	REMARK
1	LARGE PAD 300mm	652-0500011	x1	
2	SIDE STAY L	-	x1	
3	SIDE STAY R	-	x1	
4	CENTER BRACKET	-	x1	
5	WASHER 6x13xT1.0	090-0900106	x4	
6	WASHER 8x22xT2.3	090-0902008	x2	For Fixing pad.
7	FLANGE LOCK NUT 8mm	001-0550008	x2	
8	BUTTON CAP BOLT M6x15	060-0550015	x4	

REMOVING GENUINE PARTS

oRemove genuine rear frame Assy socket bolt (total 4pcs on left and right). (Refer to the illustration.)

HOW TO INSTALL

- 1) Install side stay temporarily to rear frame Assy socket bolt position (each 2pcs) with attached parts.
- 2) When installing stay and bracket, tighten temporarily bolts firmly with adjusting each parts. (In case of installation failure, loosen all bolts and tighten again with adjusting.)
- 3) Make sure not to loosen any parts before riding.



230526 Y-H



3-8-13 NAGATA,
HIGASHI-OSAKA,
OSAKA, JAPAN