

## GRAB BAR

CODE	(BLACK) 80-653-18700
APPLICATION	CL250/500 (MC57/PC68)

Thank you for purchasing Kitaco product. Read and understand the instruction before installing.

### ATTENTION (MUST READ)

- This instruction sheet is for stock condition.
- This product is designed and made exclusive for application vehicles, do not use other models. Do not modify the way which is not listed or it will cause damage and trouble.
- We are not responsible for violation of law or damages and accidents caused by assembling mistake and improper setting.
- Please ask authorized mechanic for assembling and setting.
- Refer to the manufacturer service manual when installation.
- Bolts and nuts may get loosen by engine vibration. Make sure not to loosen any bolts and nuts before driving.

### ATTENTION!

- This product does not have enough toughness. Please use back rest as support.



Do not apply excessive force like using rope or tie down belt to deliver vehicle. It may damage this product or surrounding parts.



Do not apply excessive force like lifting vehicle by using this product. When turning vehicle, please use as support.

## REMOVING GENUINE PARTS

○ Remove genuine rear frame Assy socket bolt (total 4pcs on left and right). (Refer to the illustration.)

## HOW TO INSTALL

1) Install grab bar stay temporarily to rear frame Assy socket bolt position (each 2pcs of left and right).

2) When installation, tighten temporarily bolts firmly. Make sure not to loosen any parts before riding.

※ Tighten bolts alternately evenly with adjusting balance.

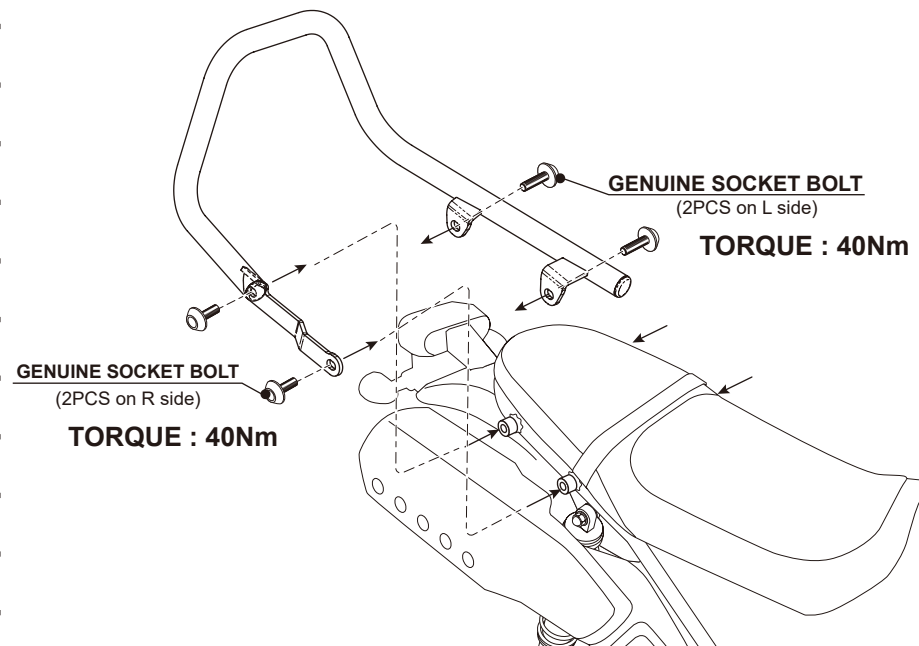
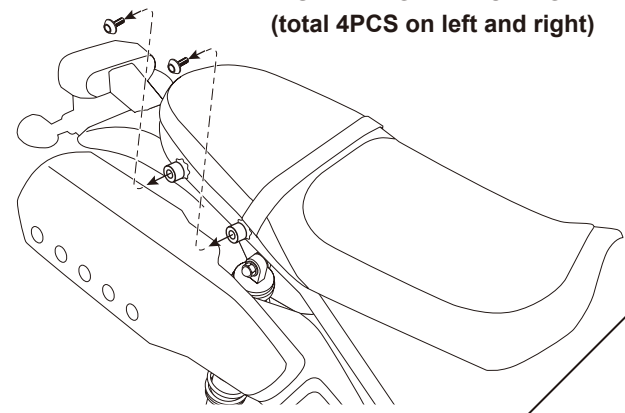
Tighten one by one might cause of installation failure.

## HOW TO TAKE CARE

Rust might occur depending on how to use.

Especially, after riding under the rain or washing, wipe water correctly and apply anti-rust, etc.

### GENUINE SOCKET BOLT INSTALLING / REMOVING (total 4PCS on left and right)



230518 M-T



3-8-13 NAGATA,  
HIGASHI-OSAKA,  
OSAKA, JAPAN