

USB ELECTRIC POWER SUPPLY

No. 1/1

CODE	80-757-13000	80-757-13010
APPLICATION	MONKEY 125 (JB02)	MONKEY 125 (JB03)
REMARK		

● Thank you for purchasing Kitaco product. Read and understand the instruction before installing.

ATTENTION (MUST READ)

- Please ask authorized mechanic for assembling and setting. Ask a specialist at specialty shop if you do not understand the role of the surrounding parts.
- This product is precision equipment, do not apply excessive force, it might cause of trouble. Do not modify the way which is not listed or it will cause damage and trouble.
- We are not responsible for violation of law or damages and accidents caused by assembling mistake and improper setting.
- Refer to the manufacturer service manual when installation.
- Bolts and nuts may get loosen by engine vibration. Make sure not to loosen any bolts and nuts before driving.

ATTENTION (MUST READ)

▼ OPERATING ENVIRONMENT (We cannot guarantee out of the environment below.)
This product is made exclusive for DC 12V battery vehicle. This does not operate for battery less vehicle. The lighting is a little bit darker when voltage is lower with 12V vehicle. If the battery is weak, it might over voltage by high rpm and cause of breakdown. Be careful of it.

- Avoid installing and wire near the hard noise source, it might cause of trouble and break.
- This product works correctly under electrical system is genuine situation. We cannot guarantee under other special product is installed. (spark plug, plug cap, high tension code, ignition coil, HID, music product, etc.)

▼ HOW TO TAKE CARE

- Check the maximum power before using. If over powered, it might cause of trouble and break of vehicle electrical system.
- Avoid using under rain and washing. Avoid to parking under the rain.
- Please wear attached rubber cap when not in use. (This is not perfectly waterproof. If water splash intensively to this product, water might enter. Be careful of it.)
- This product is precision equipment, if installing to vibration spot, this cannot bring out the full potential, in the worst case, it might break. Please install with anti-vibration, etc to avoid vibration. If mounting to near the engine, it might malfunction because of vibration and heat. These are not covered by warranty. Be careful of it.
- We are not responsible for directly or indirectly breaking and lost data while using this product.
- When install/remove this product, turn the power off of both product.
- This product might not work depending on connected equipment and its situation.
- This product is not disassemble type. Do not disassemble this. It might cause of trouble and break.

SPECIFICATION

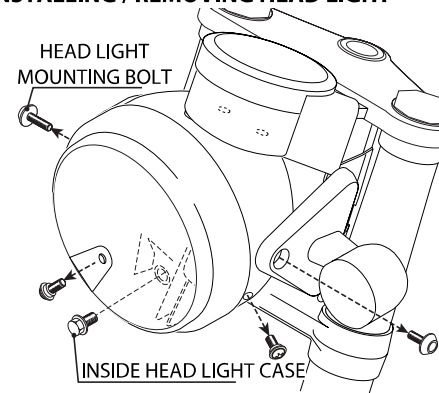
INTERFACE	USB	TYPE A × 2
INPUT VOLTAGE	DC12V	
OUTPUT VOLTAGE	DC5V	
OUTPUT CURRENT	MAX 2000mA	In case only using 1 port.
FIXING METHOD	○ Body mounting (stay is attached)	
OTHER	○ Drip-proof (when using attached rubber cap / not perfectly water proof) ○ Built in LED (BLUE) ※ Condensation occurs inside the main body (rubber cap) because of changing temperature, etc. Please avoid hard changing temperature place (around engine), and remove water frequently. (Remove water by air duster, vacuum, etc.) It might cause of trouble.	

PACKING LIST				JB02	JB03
FIGURE	NAME	CODE	QTY		
1	USB PORT (POWER SUPPLY)	757-1300001	x1	x1	
2	STAY	757-1300002	x1	x1	
3	POWER SUPPLY HARNESS	MONKEY 125 HONDA type-4	756-9000130	x1	- x1
-	MS TIE	100x2.5	700-9200100	x2	x2

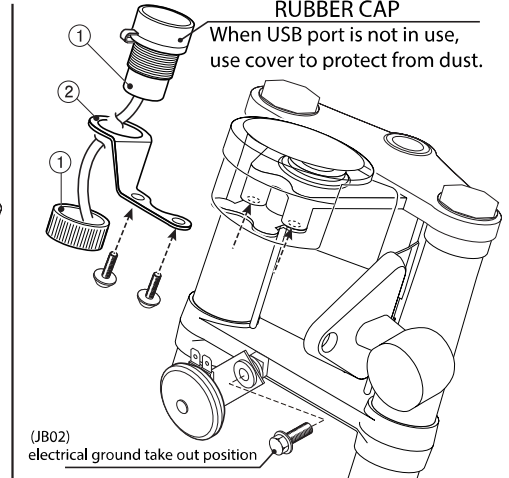
HOW TO INSTALL

- 1) Refer to the illustration [1] below, remove the genuine parts.
 - 2) After assembling USB port, install to vehicle as illustration [2] below.
 - 3) After checking power supply illustration, take USB power supply.
 - 4) Install vehicle parts in the reverse order to removal.
- ※ Prevent from biting harness.

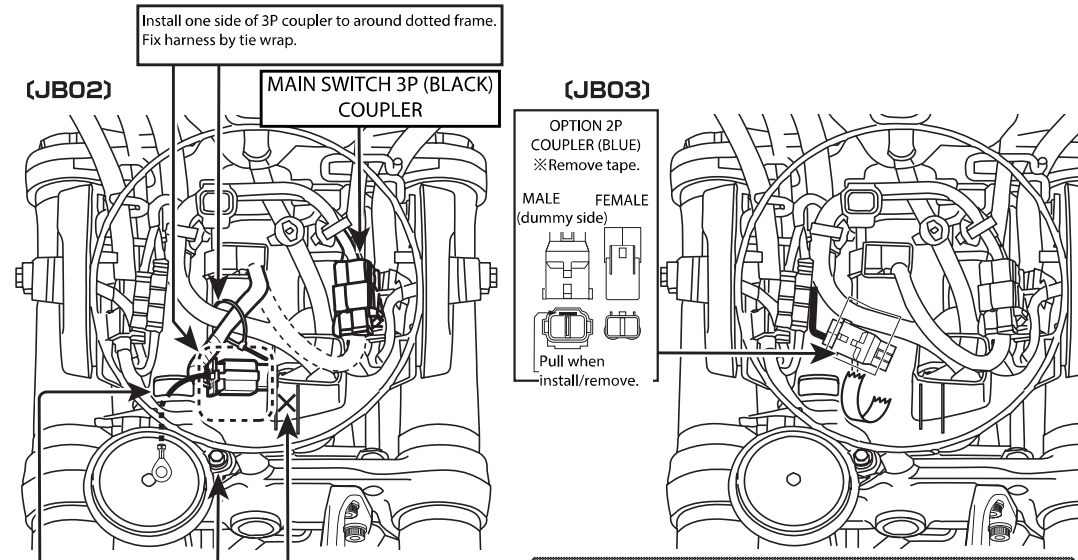
[1] INSTALLING / REMOVING HEAD LIGHT



[2] INSTALLING USB PORT RUBBER CAP



[3] WHERE TO TAKE POWER SUPPLY



Tighten electrical ground lead wire passing through electrical ground terminal (6mm) and horn stay bolt together by using slit.

If install coupler around X mark, it might touch head light.

ATTENTION TO HARNESS WIRING!

Be careful of breaking the wire because of sanded by cover, parts, etc. Also, do not disturb handling. Fix with attached tie wrap.

WIRING ILLUSTRATION

