

USB ELECTRIC POWER SUPPLY

No.1 /2

CODE	80-757-18620
APPLICATION	REBEL 250 (FNo,MC49-1400000 ~) / 500 (FNo,PC60-1300000 ~) ※Only for Japanese domestic model.
REMARK	'23 model ~

●Thank you for purchasing Kitaco product. Read and understand the instruction before installing.

ATTENTION (MUST READ)

- This instruction sheet is for who has basic knowledge. Do not operate if you do not have knowledge or skill.
- This product is precision equipment. Do not apply excessive force. It might cause of trouble. Do not modify the way which is not listed or it will cause damage and trouble.
- We are not responsible for violation of law or damages and accidents caused by assembling mistake and improper setting.
- Refer to the manufacturer service manual when installation.
- Bolts and nuts may get loosen by engine vibration. Make sure not to loosen any bolts and nuts before driving.

ATTENTION (MUST READ)

▼OPERATING ENVIRONMENT (We are not responsible for out of the below.)

This product is made exclusive for DC12V battery vehicle. This product does not operate for battery less vehicle. The lighting is a little bit darker when voltage is lower than 12V. If the battery is weak, it might over voltage by high rpm and cause of breakdown. Be careful of it.

- Avoid installing and wiring near the hard noise source, it might cause of trouble and break.
- This product works correctly under electrical system is genuine condition. We are not responsible for the troubles caused by other special products.

▼HOW TO TAKE CARE

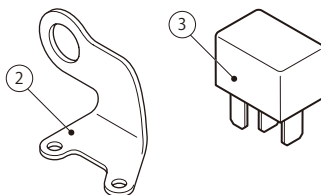
- Check the maximum power before using. If over powered, it might cause of trouble and break of vehicle electrical system.
- Avoid using under rain and wash. Avoid to park under the rain.
- Please wear attached rubber cap when not in use. (This is not perfectly waterproof. If water splashes intensively to this product, water might enter. Be careful of it.)
- This product is precision equipment. If installing to vibration spot, this product cannot bring out the full potential, in the worst case, it might break. Please install with anti-vibration, etc to avoid it. If mounting near the engine, it might malfunction because of vibration and heat. These are not covered by warranty. Be careful of it.
- We are not responsible for directly or indirectly breaking and lost data while using this product.
- When installing / removing this product, turn OFF of both product.
- This product might not work depending on connected equipment and its situation.
- This product is not disassemble type. Do not disassemble this product. It might cause of trouble and break.

SPECIFICATION

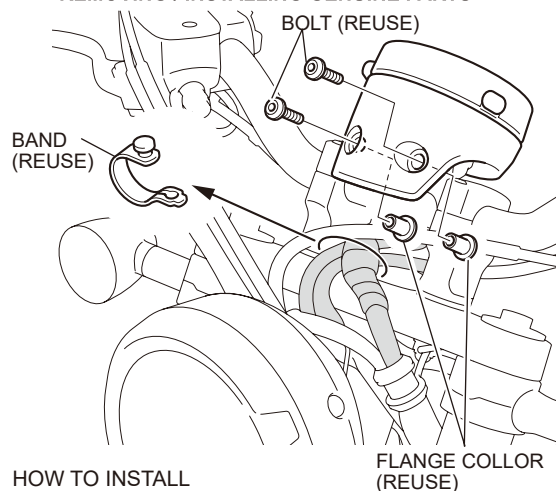
INTERFACE	USB	TYPE A × 2
INPUT VOLTAGE	DC12V	
OUTPUT VOLTAGE	DC5V	
OUTPUT CURRENT	MAX 2000mA In case of only using 1 port.	
FIXING METHOD	OUSB POWER SUPPLY STAY : Body mount (Need to make Φ28 hole.)	
OTHER	○Drip-proof (when using attached rubber cap / not perfectly water proof) ○Built in LED (BLUE) ※Condensation might occur inside main unit (rubber cap) because of changing temperature, etc. Avoid hard temperature changing place (around engine), check regularly and remove water (by air duster, vacuum, etc). It might cause of trouble.	

PACKING LIST

FIGURE	NAME	CODE	QTY
1	USB PORT (POWER SUPPLY) REBEL	757-1860001	x1
2	STAY REBEL	757-1860002	x1
3	RELAY REBEL '23~	755-9413001	x1
-	MS TIE 100X2.5	700-9200100	x2



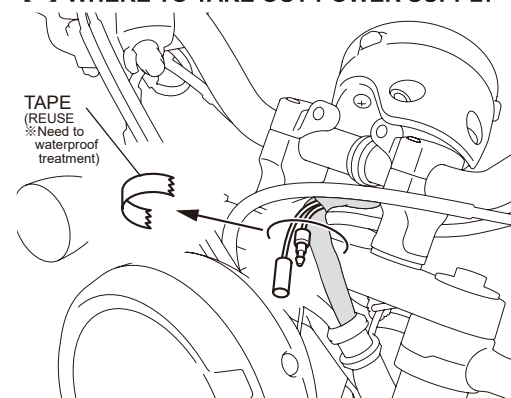
[1] REMOVING / INSTALLING GENUINE PARTS



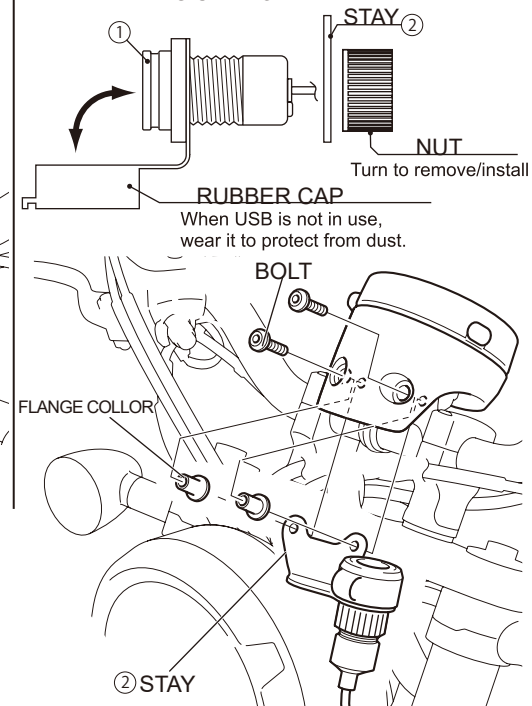
HOW TO INSTALL

- 1) Remove genuine parts.
- 2) Check the application again, secure USB power supply.
- 3) Assemble USB port, install to vehicle as illustration.
- 4) Remove fuel tank, connect attached relay to unused coupler. (only for '23~ model)
- 5) Install the parts in the reverse order of removing. ※Avoid biting harness.

[2] WHERE TO TAKE OUT POWER SUPPLY



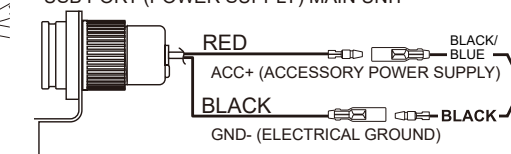
[3] INSTALLING USB PORT



ATTENTION TO ROUTE HARNESS!

Avoid getting caught or sandwiched by cover or other parts, which prevents from handling. Fix with attached tie wrap.

USB PORT (POWER SUPPLY) MAIN UNIT



▼USB PORT HARNESS

- RED LEAD WIRE : ACC (ACCESSORY) POWER SUPPLY (+)
Power supply wire for USB port input/output. Connect to (+) plus that current flows when turning ignition switch ON.
- BLACK LEAD WIRE : POWER SUPPLY ELECTRICAL GROUND (-)
Electrical ground wire for USB port input/output. Connect to (-).

YEAR·MODEL	POWER OUTLET POINT	CONNECTOR/COUPLER POSITION
2023~ (MC49/PC60)	OPTION TERMINAL (BLACK·BLACK/BLUE) ※Need to waterproof treatment.	METER/HANDLE SWITCH WIRE

230425 M-T



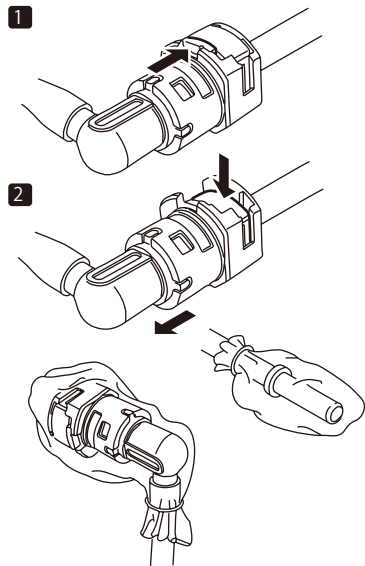
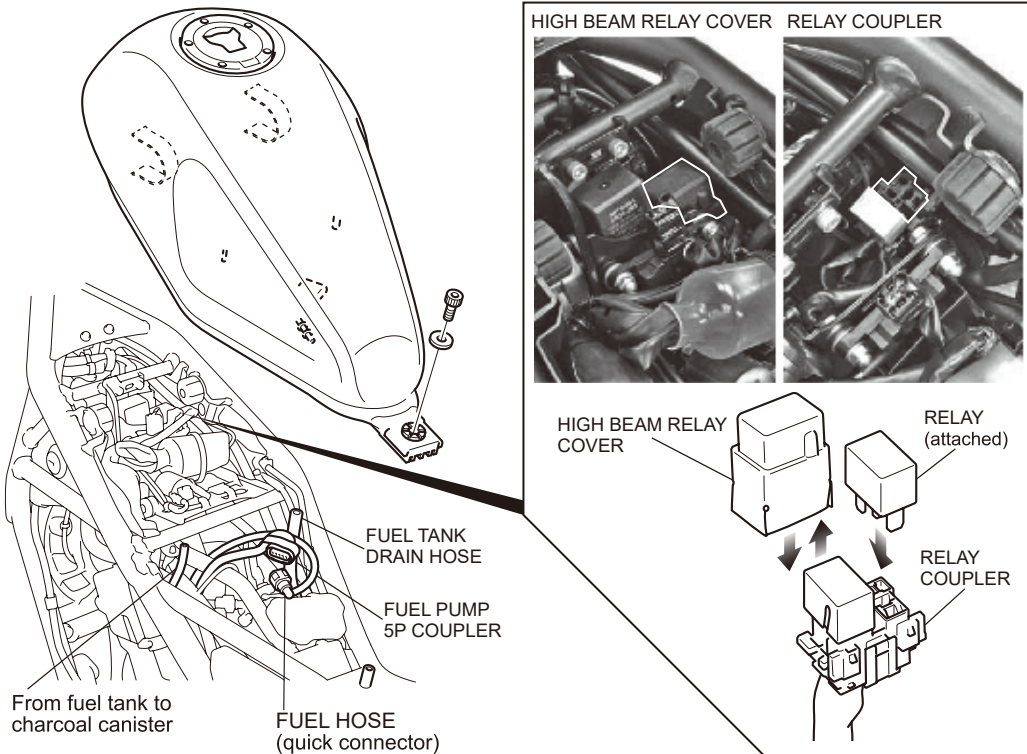
3-8-13 NAGATA,
HIGASHI-OSAKA,
OSAKA, JAPAN

USB ELECTRIC POWER SUPPLY

No.2 /2

CODE	80-757-18620
APPLICATION	REBEL 250 (FNo,MC49-1400000 ~) / 500 (FNo,PC60-1300000 ~) ※Only for Japanese domestic model.
REMARK	'23 model ~

REMOVE / INSTALL FUEL TANK WITH THESE PARTS BELOW.



REMOVE / INSTALL QUICK CONNECTOR (FUEL HOSE)
When removing, do not use tools. In case of feeling difficult, move connector back and forth to remove easily.

- 1 Check if quick connector connecting section is not dirty. Clean it if needed.
- 2 Cover quick connector connecting section with cloth.

○REMOVING

- Push retainer nail forward.
- Push in retainer and remove quick connector connection.

○INSTALLING

- Push retainer to fuel pump joint until it clicks to lock. If it is difficult, please apply a little bit engine oil to pipe.
- Check if it is connected firmly by pulling connector.
- After installation, turn main switch ON and work fuel pump twice to increase fuel pressure. Continue for several times to make sure of no leaking from fuel system.