

USB ELECTRIC POWER SUPPLY

No.1 /1

CODE 80-757-18700
APPLICATION CL250 (MC57)

●Thank you for purchasing Kitaco product. Read and understand the instruction before installing.

ATTENTION (MUST READ)

- This instruction sheet is for who has basic knowledge. Do not operate if you do not have knowledge or skill.
- This product is precision equipment. Do not apply excessive force. It might cause of trouble. Do not modify the way which is not listed or it will cause damage and trouble.
- We are not responsible for violation of law or damages and accidents caused by assembling mistake and improper setting.
- Refer to the manufacturer service manual when installation.
- Bolts and nuts may get loosen by engine vibration. Make sure not to loosen any bolts and nuts before driving.

ATTENTION (MUST READ)

▼OPERATING ENVIRONMENT (We are not responsible for out of the below.)

This product is made exclusive for DC12V battery vehicle. This product does not operate for battery less vehicle. The lighting is a little bit darker when voltage is lower than 12V. If the battery is weak, it might over voltage by high rpm and cause of breakdown. Be careful of it.

- Avoid installing and wiring near the hard noise source, it might cause of trouble and break.
- This product works correctly under electrical system is genuine condition. We are not responsible for the troubles caused by other special products.

▼HOW TO TAKE CARE

- Check the maximum power before using. If over powered, it might cause of trouble and break of vehicle electrical system.
- Avoid using under rain and wash. Avoid to park under the rain.
- Please wear attached rubber cap when not in use. (This is not perfectly waterproof. If water splashes intensively to this product, water might enter. Be careful of it.)
- This product is precision equipment. If installing to vibration spot, this product cannot bring out the full potential, in the worst case, it might break. Please install with anti-vibration, etc to avoid it. If mounting near the engine, it might malfunction because of vibration and heat. These are not covered by warranty. Be careful of it.
- We are not responsible for directly or indirectly breaking and lost data while using this product.
- When installing / removing this product, turn OFF of both product.
- This product might not work depending on connected equipment and its situation.
- This product is not disassemble type. Do not disassemble this product. It might cause of trouble and break.

SPECIFICATION

INTERFACE	USB	TYPE A × 2
INPUT VOLTAGE	DC12V	
OUTPUT VOLTAGE	DC5V	
OUTPUT CURRENT	MAX 2000mA	In case of only using 1 port.
OTHER	○Drip-proof (when using attached rubber cap / not perfectly water proof) ○Built in LED (BLUE) ※Condensation might occur inside main unit (rubber cap) because of changing temperature, etc. Avoid hard temperature changing place (around engine), check regularly and remove water (by air duster, vacuum, etc). It might cause of trouble.	

FIGURE	NAME	CODE	QTY
1	USB PORT (POWER SUPPLY)	757-1860001	x1
2	TIE BAND (MS TIE) 100x2.5	700-9200100	x2
3	STAY	757-4810002	x1
4	SPACER COLLAR 6.2x11xL10	0900-093-00004	x2
5	WASHER 6x13xT1.0mm	090-0900006	x2
6	CAP BOLT M6x35	060-0500035	x2
7	POWER RELAY	755-9413001	x1

HOW TO INSTALL

- Remove seat and connect attached relay to ACC RELAY.
 - Take USB power supply from right handle switch harness option harness (terminal).
 - After assembled USB port, install to vehicle as illustration.
 - Install vehicle parts in reverse order of removing.
- ※Avoid biting harness.

RIGHT HANDLE SWITCH HARNESS



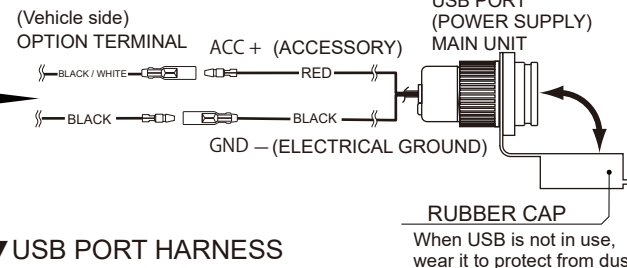
Remove tape.

(Vehicle side) OPTION TERMINAL



※Removing / installing battery cover for installing to fuse box.

ACC RELAY POSITION
(Inside the fuse box under the seat.)



▼USB PORT HARNESS

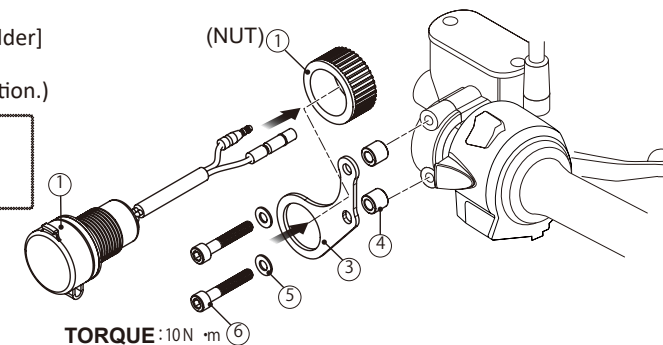
- RED LEAD WIRE :
ACC (ACCESSORY) POWER SUPPLY (+)
Power supply wire for USB port input/output. Connect to (+) plus that current flows when turning ignition switch ON.
- BLACK LEAD WIRE :
POWER SUPPLY ELECTRICAL GROUND (-)
Electrical ground wire for USB port input/output.

●HOW TO FIX

[In case of installing master cylinder holder]
Fix attached stay with sandwich by main unit and nut. (Refer to the illustration.)

ATTENTION TO ROUTE HARNESS!

Avoid getting caught or sandwiched by cover or other parts, which prevents from handling. Fix with attached tie wrap.



230524 M-T