

HEAD LIGHT GUARD

CODE : 800-1155900

APPLICATION : ZOOMER-X (JF52)

Thank you for purchasing Kitaco product. Read and understand the instruction before installing.

ATTENTION (MUST READ)

- This instruction sheet is for the instruction for stock condition.
- This product is dress up for head light. Do not use for other purposes.
- This product is designed and made exclusive for application models, do not use other models. Do not modify the way which is not listed or it will cause damage and trouble.
- We are not responsible for violation of law or damages and accidents caused by assembling mistake and improper setting.
- Please ask authorized mechanic for assembling and setting.
- Refer to the manufacturer service manual when installation.
- Bolts and nuts may get loosen by engine vibration. Make sure not to loosen any bolts and nuts before driving.
- ※ Metal/resin products get discolored/rust for ages as well as how to use. Please understand when using.

ALUMITE PRODUCT : It may get discolored, etc for ages. Please understand before installation.

HOW TO INSTALL

Head light lens is extremely hot right after engine stops. Therefore recommend to wear gloves when installation or start installation after the head light lens completely cooled.

1) Remove optical axis adjustment bolt (1pc) and side cover bolt (2pcs).

2) Install head light guard to head light with attached bolts.

※ Install head light guard as following below.

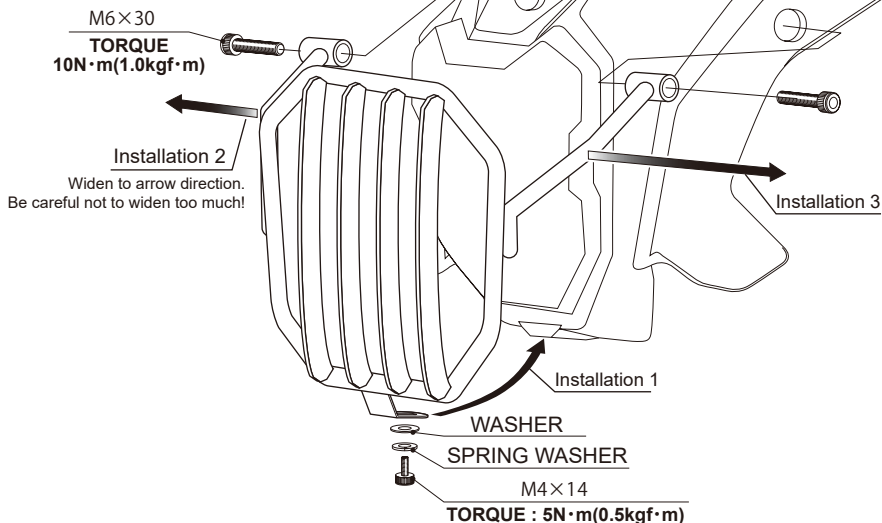
① Install from attached M4 bolt (optical axis adjustment bolt).

② Install with widen arm next to guard from one side.

※ Be careful of widen too much. It might cause of deformation and unable to install. (When installation, guard interfaces to resin cover. Recommend to use protection tape to interface point.)

3) When tightening optical axis adjustment bolt, please move head light up and down to optical axis adjustment.

| PACKING LIST | |
|---|-----|
| NAME | QTY |
| HEAD LIGHT GUARD ASSY | × 1 |
| CAP BOLT (SUS) M6 × 30 | × 2 |
| WASHER 4 × 14 × t: 1.0mm | × 1 |
| SPRING WASHER 4 × t: 1.0mm | × 1 |
| HEXAGON BOLT (SUS/full thread) M4 × 14 (P0.7) | × 1 |



130417 M-T

KITACO
株式会社 中ノ坊

3-8-13 NAGATA,
HIGASHI-OSAKA,
OSAKA, JAPAN