

LED SHUTTLE BEAM kit No.1/2 CODE : (YELLOW)800-1300330 (CLEAR) 800-1300380

APPLICATION	MONKEY 125 (JB02)		
REMARK	Able to use Kitaco down fender stay SET / front emblem KIT together. (※Separate bolts are required.)		

● Thank you for purchasing Kitaco product. Read and understand the instruction before installing.

ATTENTION (MUST READ)

- This product is made for dress up. Do not use for others.
- This product is designed and made exclusive for application vehicle, do not use other models. Do not modify the way which is not listed or it will cause damage and trouble.
- We are not responsible for violation of law or damages and accidents caused by assembling mistake and improper setting.
- Bolts and nuts may get loosen by engine vibration. Make sure not to loosen any bolts and nuts before driving.
- This instruction sheet is for the instruction for genuine condition.
- ※ Metal/resin/alumite products get discolored/rust for ages as well as how to use. Please understand when using.
- ※ The lens have individual difference. This is tolerance, not defective product. Please understand before installing.

(IMPORTANT) ATTENTION WHEN USING!

- This product may violate the law of the difference of amount of light and light range. Depending on where to install, it might violate safety standard. Please use this only for dress up or auxiliary lighting.
- Condensation may occur because of temperature difference.
- This product is not completely waterproof. Please be careful when washing.
- If install to a lot of vibration position, this might not work perfectly, in the worst case, it cause of break. When installing, please do anti-vibration. If you install near engine, vibration and heat might cause of malfunction.
- ※ We are not responsible for break because of heat and vibration. Be careful of it.

● WHEN INSTALLED TOGETHER WITH A GRIP HEATER THAT CONSUMES A LOT OF POWER, IT MAY EXCEED THE VEHICLE'S ALLOWABLE POWER CONSUMPTION.

SPECIFICATION

VOLTAGE ; DC12V(AC alternating current cannot be used)/power consumption 10w/current consumption:0.9A

LIGHTING ; Spot beam

BRIGHTNESS ; MAX 800 lumen / color temperature 6000 kelvin (clear)

HARNESS LENGTH ; about 300mm

SPECIFICATION ; Aluminum die-casting body / acrylic lens / stay · bolt set

PACKING LIST (Refer to the figure & illustration)

FIGURE	NAME	CODE	QTY	TORQUE	
1	LED SHUTTLE BEAM	YELLOW	800-1300330A	x1	
		CLEAR	800-1300380A		
2	STAY	800-1300301	x1		
3	POWER SUPPLY HARNESS TIE WRAP (MS TIE)	MONKEY 125	756-1300900	x1	
		100x2.5	700-9200100		
4	WASHER	6x13x1.0mm	090-0900006	x1	
5	SPRING WASHER	6mm	091-0500006	x1	
6	FLANGE CAP BOLT	M6x20	060-0560020	x2	TORQUE :12N·m (1.2kgf·m)
7	CAP NUT	6mm	001-0601006	x1	

HOW TO INSTALL

- Remove M6 bolts (2pcs) on left side of front fender bracket on under stem. (Refer to the illustration below.)
- Tighen with front fender bracket together with attached M6 bolt and washer.
- Adjust the degree of shuttle beam irradiation angle not to obstruct the view of oncoming vehicles.

※1) In case do not use F fender bracket.

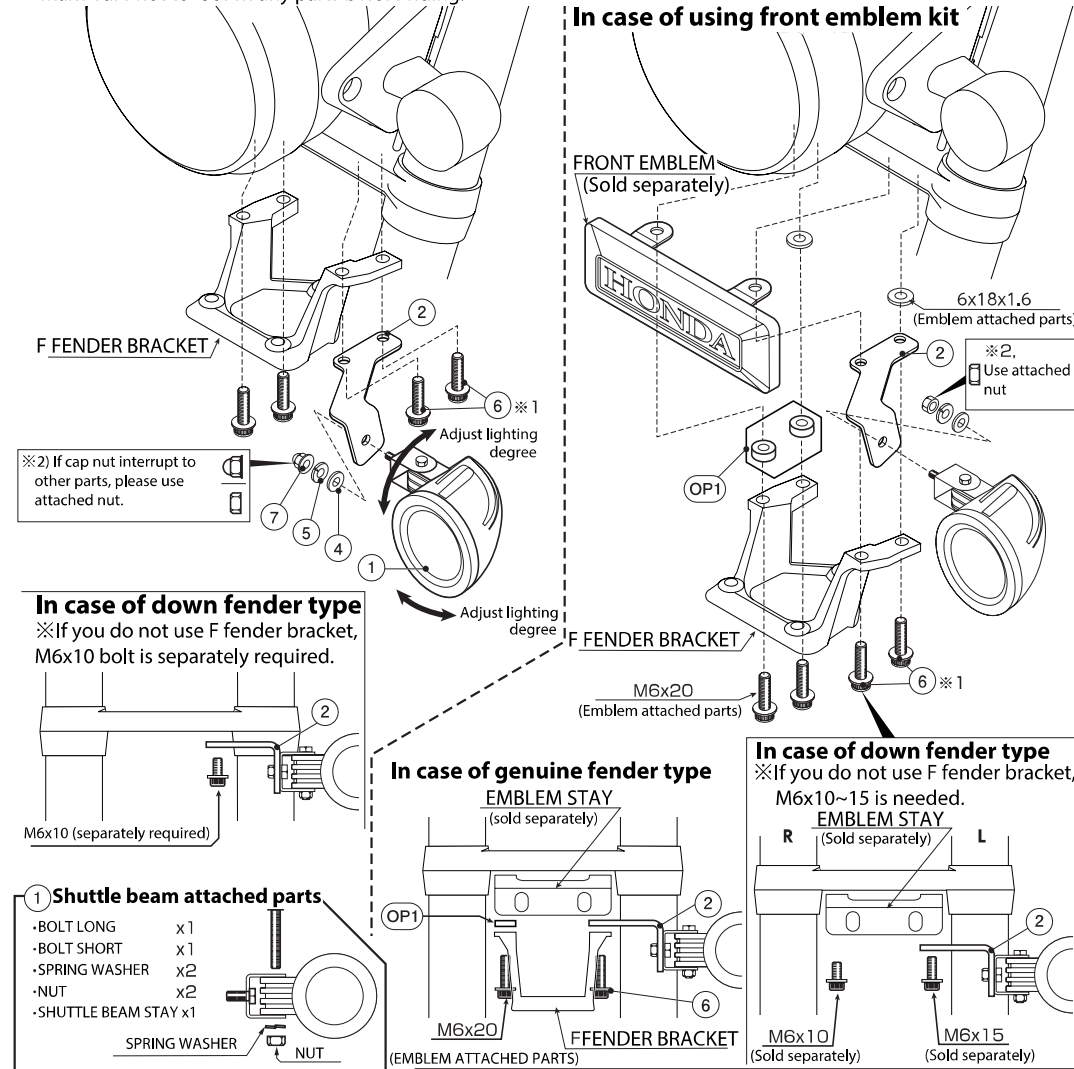
M6x10~15 bolt is required when you use down fender stay together but not with F fender bracket (only tighten with front emblem.) Refer to the combination illustration below.

※2) If cap nut interrupt to other parts, please use attached nut.

ADVICE!

When installation, please tighten bolt and nut temporarily to adjust each parts. (If tighten firmly while temporarily installing, the bolt hole might not matched, etc, it cause of unable to install.) After install temporarily, tighten them firmly following specified torque.

- The power supply of the shuttle beam is to insert the harness from main switch harness inside headlight case to attached harness. (Refer to the harness layout /connection illustration on No.2.)
- Make sure not to loosen any parts before riding.

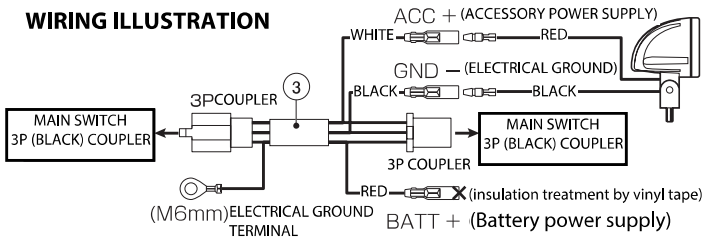


- ① Shuttle beam attached parts**
- BOLT LONG x1
 - BOLT SHORT x1
 - SPRING WASHER x2
 - NUT x2
 - SHUTTLE BEAM STAY x1

OPTINAL PARTS (Refer to the figure & illustration)

FIGURE	NAME	CODE	QTY	
OP1	SPACER COLLAR	18x6.2xL3.0mm	0900-093-00025	x2

WIRING ILLUSTRATION



HARNESS LAYOUT

