

LED SHUTTLE BEAM kit (2 lights type) No. 1/1

CODE	(YELLOW) 800-1470330	(CLEAR) 800-1470380
APPLICATION	HUNTER CUB CT125 (JA55)	
REMARK	The products below, the take electric power from same place, cannot install together basically. If you use genuine option (grip heater, accessory socket), other optional coupler, it needs to make branch, etc.	

● Thank you for purchasing Kitaco product. Read and understand the instruction before installing.

ATTENTION (MUST READ)

- This product is made for dress up. Do not use for others.
 - This product is designed and made exclusive for application vehicle, do not use other models. Do not modify the way which is not listed or it will cause damage and trouble.
 - We are not responsible for violation of law or damages and accidents caused by assembling mistake and improper setting.
 - Bolts and nuts may get loosen by engine vibration. Make sure not to loosen any bolts and nuts before driving.
 - This instruction sheet is for the instruction for genuine condition.
- ※ Metal/resin/alumite products get discolored/rust for ages as well as how to use. Please understand when using.
- ※ The lens have individual difference,. This is tolerance, not defective product. Please understand before installing.

【IMPORTANT】 ATTENTION WHEN USING!

- This product may violate the law of the difference of amount of light and light range. Depending on where to install, it might violate safety standard. Please use this only for dress up or auxiliary lighting.
 - Condensation may occur because of temperature difference.
 - This product is not completely waterproof. Please be careful when washing.
 - If install to a lot of vibration position, this might not work perfectly, in the worst case, it cause of break. When installing, please do anti-vibration. If you install near engine, vibration and heat might cause of malfunction.
- ※ We are not responsible for break because of heat and vibration. Be careful of it.

● WHEN INSTALLED TOGETHER WITH A GRIP HEATER THAT CONSUMES A LOT OF POWER, IT MAY EXCEED THE VEHICLE'S ALLOWABLE POWER CONSUMPTION.

SPECIFICATION

VOLTAGE ; DC12V(AC alternating current cannot be used)/1 light power consumption(2 lights) 10w(20w)/current consumption:0.9A(1.8A)
LIGHTING ; Spot beam
BRIGHTNESS ; MAX 800 lumen / color temperature 6000 kelvin (clear)
HARNESS LENGTH ; about 300mm
SPECIFICATION ; Aluminum die-casting body / acrylic lens / stay · bolt set

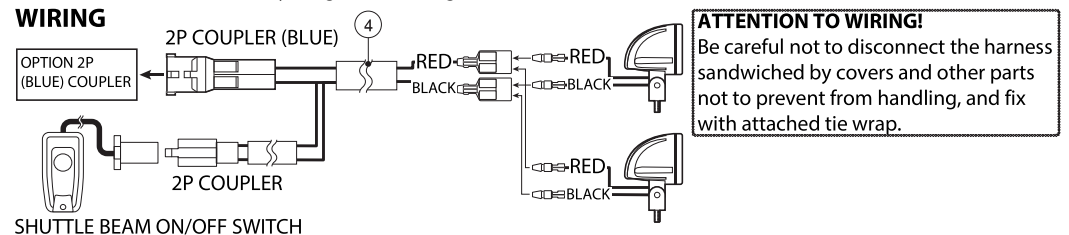
PACKING LIST (Refer to the figure & illustration below.)

FIGURE	NAME	CODE	YELLOW	CLEAR
1	LED SHUTTLE BEAM YELLOW/2 lights type CLEAR/2 lights type	800-1470301YE 800-1470301CL	x2 -	- x2
2	STAY FOR POWER SUPPLY SWITCH	800-1470302	x1	x1
3	ON/OFF SWITCH PUSH type	800-1470304	x1	x1
4	WIRE HARNESS 2 lights /CT125	800-1470303	x1	x1
5	TIE WRAP (MS TIE) 100x2.5	700-9200100	x4	x4
6	BUTTON CAP BOLT M6x30	060-0550030	x2	x2
7	SPACER COLLAR 6.2x18xT10	093-9000028	x2	x2

HOW TO INSTALL

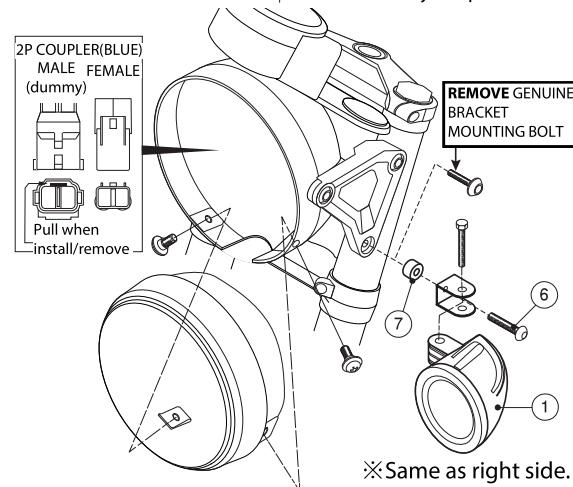
- Install to genuine head light bracket position, tighten with attached collar and bolt together.
- Adjust the degree of shuttle beam irradiation angle not to obstruct the view of oncoming vehicles.
- The power supply of the shuttle beam is to insert the harness from option 2P coupler inside headlight case. (Refer to the wiring/connection illustration below.)
- Tighten shuttle beam power supply switch and stay together to left mirror holder.
- Make sure not to loosen anything before riding.

WIRING



SHUTTLE BEAM ON/OFF SWITCH

POWER SUPPLY OUTLET	CONNECTOR / COUPLER POSITION
OPTION 2P (BLUE) COUPLER	Inside head light case. (waterproof process by dummy coupler) Remove dummy coupler to connect wire harness④.



① SHUTTLE BEAM ATTACHED PARTS

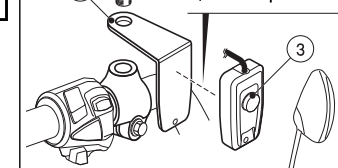
·BOLT LONG	x1
·BOLT SHORT (not in use)	x1
·SPRING WASHER	x2
·NUT	x2
·SHUTTLE BEAM STAY	x1

IRRADIATION DEGREE

IRRADIATION DEGREE

ON/OFF switch installation example

Fix stay and switch by double side tape. (Clean up surface.)



WIRING

