

SIDE REFLECTOR kit

CODE	APPLICATION
801-1320000	DAX125 (JB04)

Thank you for purchasing Kitaco product.

Read and understand the instruction before installing.

ATTENTION (MUST READ)

- This instruction sheet is for the instruction for genuine condition.
 - This product is dress up parts. Do not use for other purposes.
 - This product is designed and made exclusive for application vehicle, do not use other models. Do not modify the way which is not listed or it will cause damage and trouble.
 - We are not responsible for violation of law or damages and accidents caused by assembling mistake and improper setting.
 - Please ask a specialist at specialty shop if you do not understand the role of the surrounding parts.
 - Bolts and nuts may get loosen by engine vibration. Make sure not to loosen any bolts and nuts before driving.
 - This product might have a gap when installation, but it is a tolerance, not defective product. Please understand before installation.
- ※Metal/resin/alumite products get discolored/rust for ages as well as how to use. Please understand when using.

HOW TO HANDLING

⚠ATTENTION

- Do not apply excessive force, it may cause breaking.

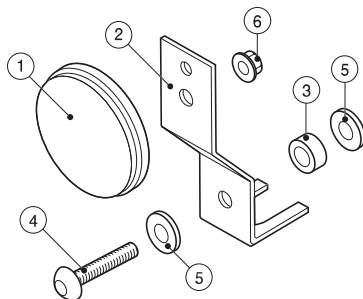
HOW TO TAKE CARE

- If it gets dirt, wipe it with soft cloth or sponge. This product easily gets scratched, do not use brush when washing.
- If it get too much dirt, please use neutral detergent. (Do not use abrasive powder.) Using acid/alkaline detergent, gasoline, benzene, thinner etc is prohibited.

PARTS

PACKING LIST

FIGURE	NAME	CODE	QTY	TORQUE
1	REFLECTOR SIDE	801-0800004	x2	
2	STAY SIDE REFLECTOR	801-1320001	x2	
3	SPACER COLLAR 6.2x13x5	093-9000006	x2	
4	BUTTON CAP BOLT M6x30mm	060-0550030	x2	10N·m
5	WASHER 6.2x13x1.0	090-0900006	x4	
6	FLANGE LOCK NUT 5mm	001-0550005	x2	5N·m



HOW TO INSTALL

※Recommend to wear groves when right after riding installation.

Because the vehicle gets too hot.

1. REMOVE GENUINE PARTS.

1) Remove genuine front fender socket bolt (2pcs). (Illustration I)

2. INSTALL REFLECTOR TO STAY. (Illustration II)

1) Do the final tightening each bolts (nuts). (Tighten with tightening torque)
(Tightening torque : 5N·m)

3. INSTALL REFLECTOR STAY TEMPORARILY.

1) Install with attached bolts and collars temporarily to genuine front fender socket bolt (2pcs) position. (Illustration II)

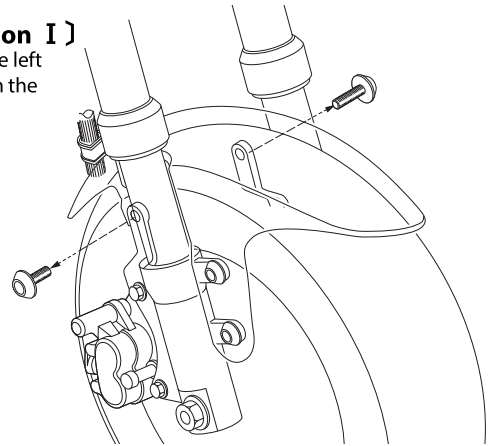
4. FIX EACH PARTS.

1) After adjust balance, do final tightening each bolts.

※Tighten bolts with specified tightening torque.

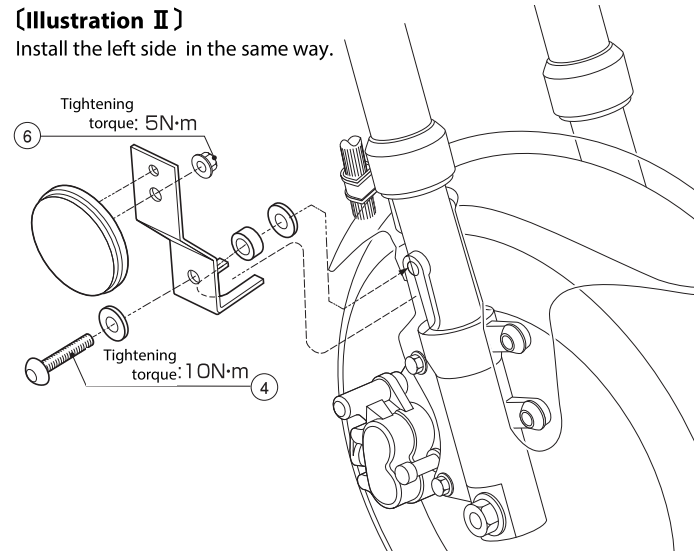
(Illustration I)

Remove the left side bolts in the same way.



(Illustration II)

Install the left side in the same way.



INSPECTION AFTER INSTALLATION

※Installed bolts get loosen by vibration or shock while riding. After 500km riding or doing inspection regularly to make sure all bolts are tightened firmly. Additional tightening with standard torque.)

製造元

KITACO
株式会社 千代田

〒577-0015
3-8-13 NAGATA, HIGASHI-
OSAKA, OSAKA, JAPAN