

# LED TAIL LAMP SET

CODE	LED (CLEAR LENS) 809-0770300
APPLICATION	YZF-R25/A (1WD2/2WD1)

●Thank you for purchasing Kitaco product. Read and understand the instruction before installing.

## ATTENTION

- This is LED lamp ASSY that required when changing tail lamp. Do not use for other purposes.
- If there is a hard degradation like a blem, fatigue and wear etc on the reuse parts, please change to new ones.
- Please ask authorized mechanic for assembling and setting.
- Please follow this instruction sheet. Refer to the manufacturer service manual when installation.
- Do not modify the way which is not listed or it will cause damage and trouble. We are not responsible for violation of law or damages and accidents caused by assembling mistake and improper setting.
- Bolts and nuts may get loosen by engine vibration. Make sure not to loosen any bolts and nuts before driving.

## QUALITY

- Light scratch, etc might be occurred during delivery. There might be uneven brightness on chrome, please understand before installing.
- When installation, some process might be required because of each model and vehicle characteristic. Recommend to do installation by a specialist at specialty shop.
- ※Chrome/resin products get discolored/rust/strength degradation for ages as well as how to use. Please understand when using.

## ATTENTION TO LED PRODUCT

- LED is long life compared to filament bulb. However, motor bike power is unstable, sometimes LED element is attacked and might not light. In this case, this might be occurred if changed to new one. We are not responsible for changing new one or charging fee after installing to vehicle.

## HOW TO INSTALL

※Refer to the service manual when installing.

1, Remove outer covers. (Remove for ease to installing tail lamp Assy.)

※Be careful not to break claws of covers when removing/installing.

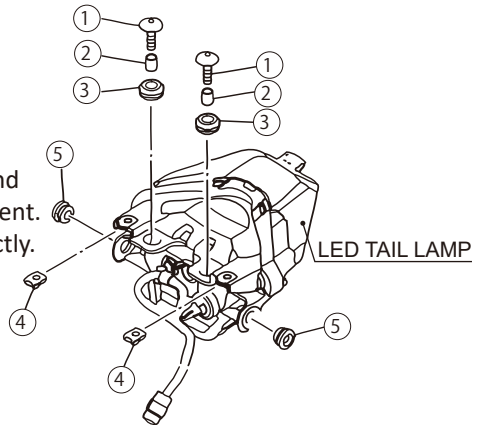
※Tail lamp wires are connected to coupler. Therefore please remove connection.

2, Remove OEM tail lamp. Reuse ①~⑤ parts and install LED lamp in the reverse order of removal.

3, Make sure to work winker and tail lamp correctly.

PACKING LIST	QTY
LED TAIL LAMP ASSY	× 1

REUSE OEM PARTS		
FIGURE	NAME	QTY
1	BOLT	× 2
2	COLLAR	× 2
3	GROMMET	× 2
4	SPRING NUT	× 2
5	GROMMET	× 2



180822

**KITACO**  
株式会社 キタコ

3-8-13 NAGATA,  
HIGASHI-OSAKA,  
OSAKA, JAPAN